



Binks DXK-18 Air Inlet Cover, Seal & Screws

\$101.15
INCL. GST

Product Images



Short Description

Binks DXK-18 Air Inlet Cover, Seal & Screws suits Binks DX200 Double Diaphragm Pumps. Includes cover, bolts, washers and cover seal.

Description

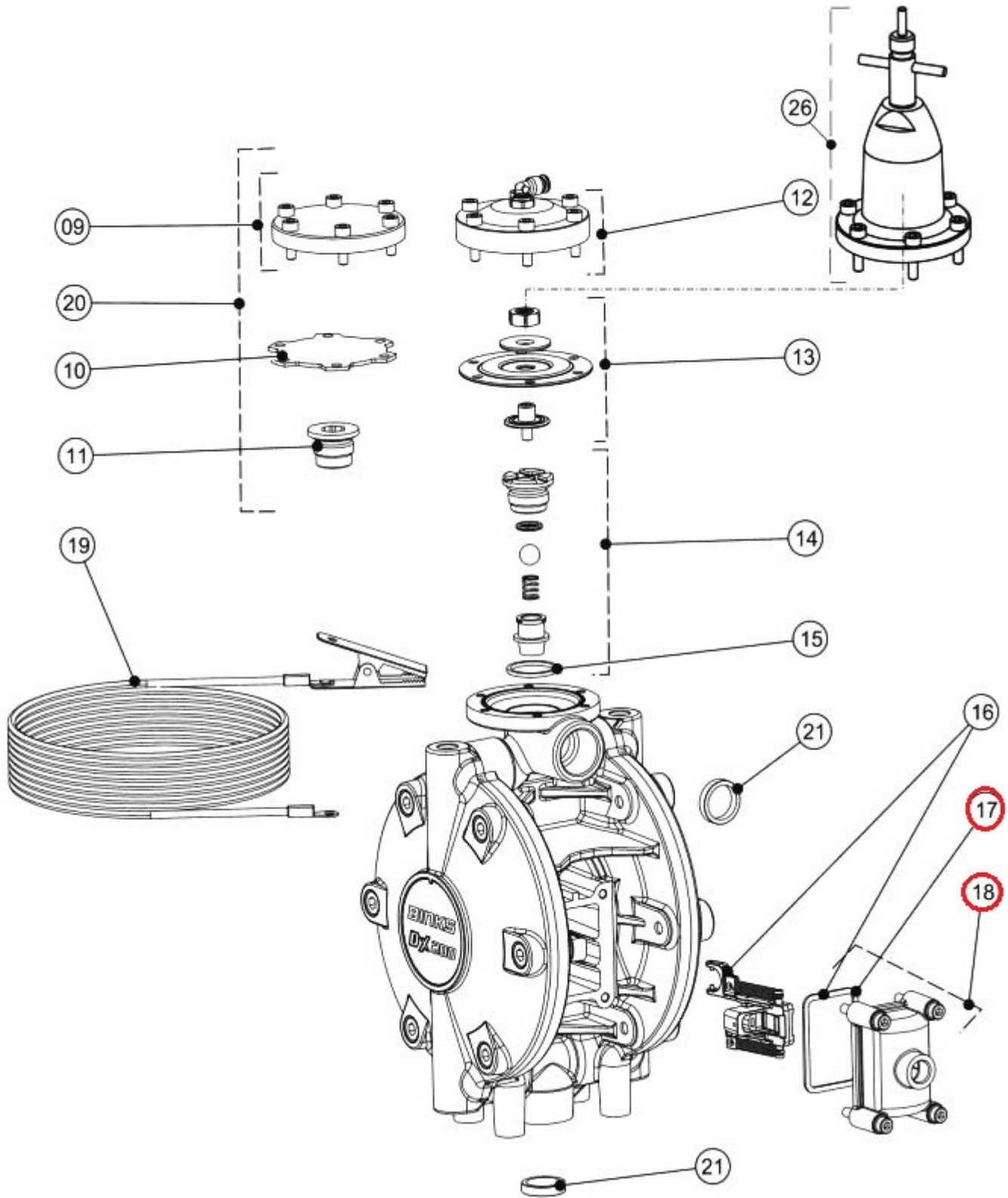
Binks DXK-18 Air Inlet Cover, Seal & Screws suits Binks DX200 Double Diaphragm Pumps. Includes cover, bolts, washers and cover seal.

Binks DXK-18 Air Inlet Cover suits the following models -

- Binks DX200AR
- Binks DX200AN
- Binks DX200ANB
- Binks DX200AM

Binks DXK-18 Air Inlet Cover includes the following items -

- Item 17 - XXX-XXX Cover seal (1)
- Item 18 - XXX-XXX Cover (1)
- Item 18 - XXX-XXX Cap screw bolt (4)
- Item 18 - XXX-XXX Washer (4)
-



Binks Part No. DXK-18

[Click here to see the full range of Binks DX200 spare Parts](https://airless.com.au/binks-dxk-18-air-inlet-cover-seal-screws.html)

Additional Information

| | |
|----------------------|------------------------|
| Brands | Binks |
| Equipment Type | Double Diaphragm Pumps |
| Machine Type | Pneumatic |
| Machine Model Number | DX200 |
| OEM | Original Part |

