



# Binks DXK-202 Check Valve Kit x 4

**\$196.29**  
**INCL. GST**

## Product Images



## Short Description

Binks DXK-202 Check Valve Kit x 4 suits Binks DX200 Double Diaphragm Pumps. Includes 4 x Check Valves and DXK-205 End Cap Seal Kit.

## Description

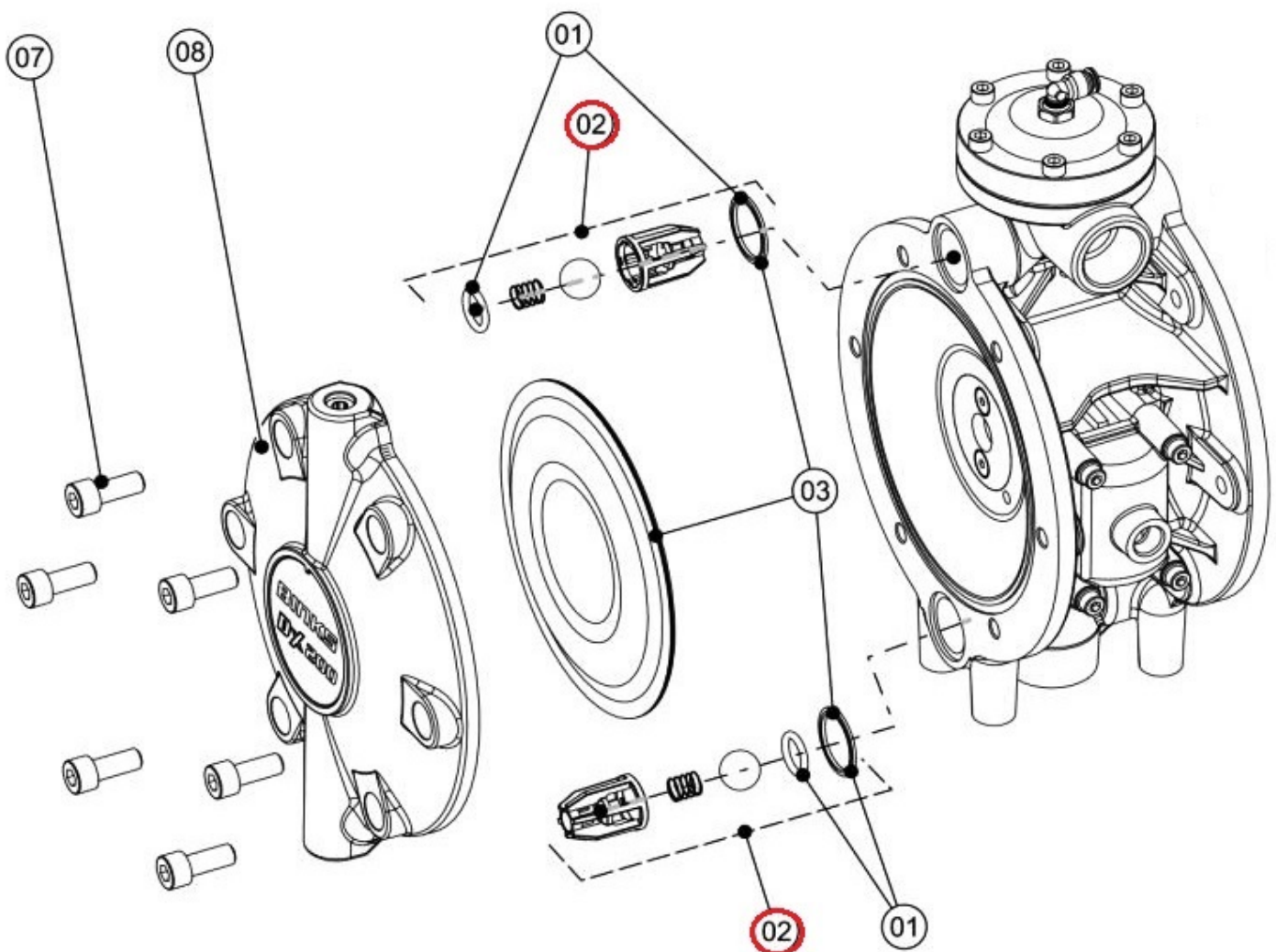
Binks DXK-202 Check Valve Kit x 4 suits Binks DX200 Double Diaphragm Pumps. Includes 4 x Check Valves and DXK-205 End Cap Seal Kit.

### Binks DXK-202 Check Valve Kit x 4 suits the following models -

- Binks DX200AR
- Binks DX200AN
- Binks DX200ANB
- Binks DX200AM

### Binks DXK-202 Check Valve Kit x 4 includes the following items -

- Item 02 - XXX-XXX Check Valve (4)



Binks Part No. DXK-205

[Click here to see the full range of Binks DX200 spare Parts](#)

## Additional Information

---

Brands	Binks
Equipment Type	Double Diaphragm Pumps
Machine Type	Pneumatic
Machine Model Number	DX200
OEM	Original Part

