



Ransburg 3968-00 Gasket No.2 Handgun

\$29.04
INCL. GST

Product Images

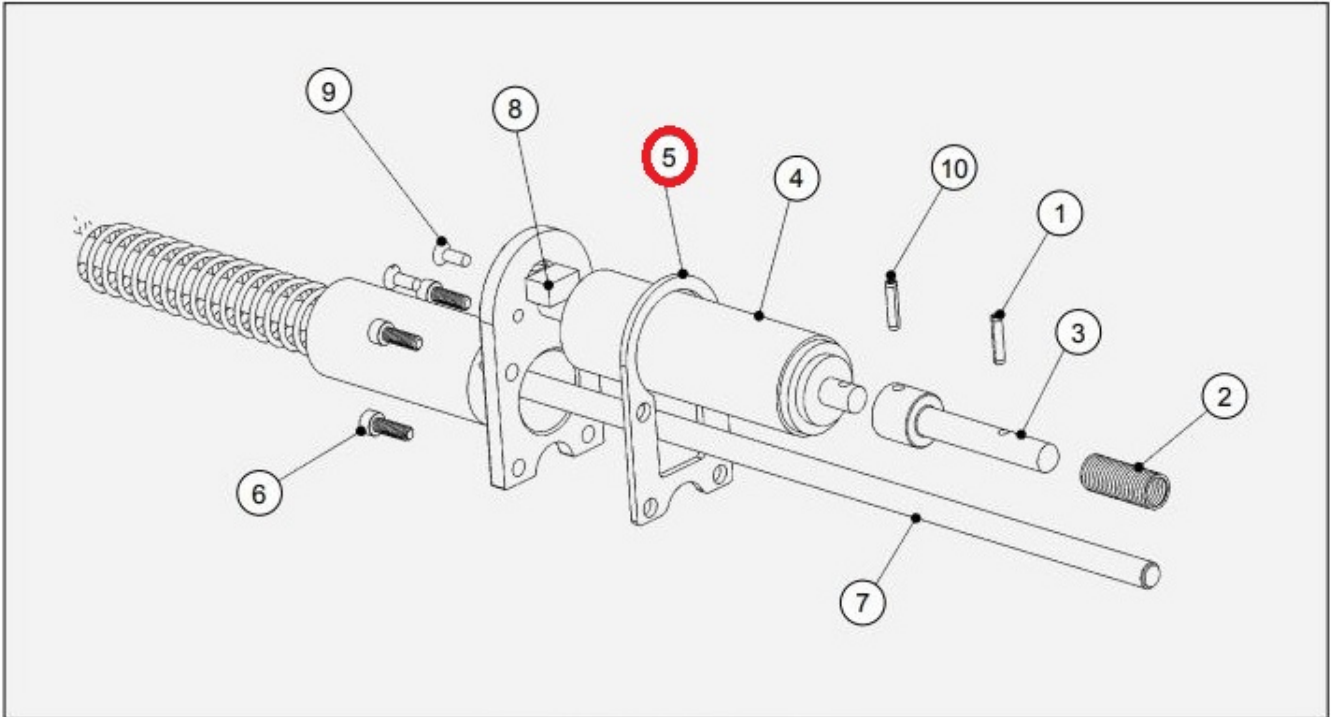


Short Description

Ransburg 3968-00 Gasket No.2 Handgun is located between the handle/cable assembly and the gun barrel, gasket should be replaced over time to avoid contamination from entering the switch/motor area

Description

Ransburg 3968-00 Gasket No.2 Handgun is located between the handle/cable assembly and the gun barrel, gasket should be replaced over time to avoid contamination from entering the switch/motor area.



CABLE / MOTOR PARTS LIST (Figure 27)

Item #	Description	Part #
1	Spring Pin	4359-01
2	Spring	8491-00
3	Adaptor, Drive	75757-00
4	Assembly, Electric Motor No. 2	3639-00
5	Gasket, No. 2 Handgun	3968-00
6	SHCS #8 Screw (4) Required	8301-16C
7	Assembly, Cable No. 2 Electric Motor (With Motor & Switch/Without)	
	7.6 m (25') length	19371-25 / 19370-25
	11 m (36') length	19371-36 / 19370-36
	15.2 m (50') length	19371-50 / 19370-50
8	Switch	4125-00
9	Screw, Flat HD. #10	9157-24F
10	Spring Pin	75757-00

Ransburg Part No. 3968-00

[Click here to see the full range of Ransburg No.2 Electrostatic Spare Parts](#)

AA Spray stock a full range of Ransburg electrostatic spray guns, spare parts and we are one of the few Authorised Ransburg Service Repair Agents in Australia.

Additional Information

Brands	Ransburg
Equipment Type	Electrostatic Spray Guns
Machine Type	Electric 240V
Machine Model Number	No.2 Gun
OEM	Original Part

