



# Ransburg 8301-16C SHCS #8 Screw

**\$1.54**  
**INCL. GST**

## Product Images



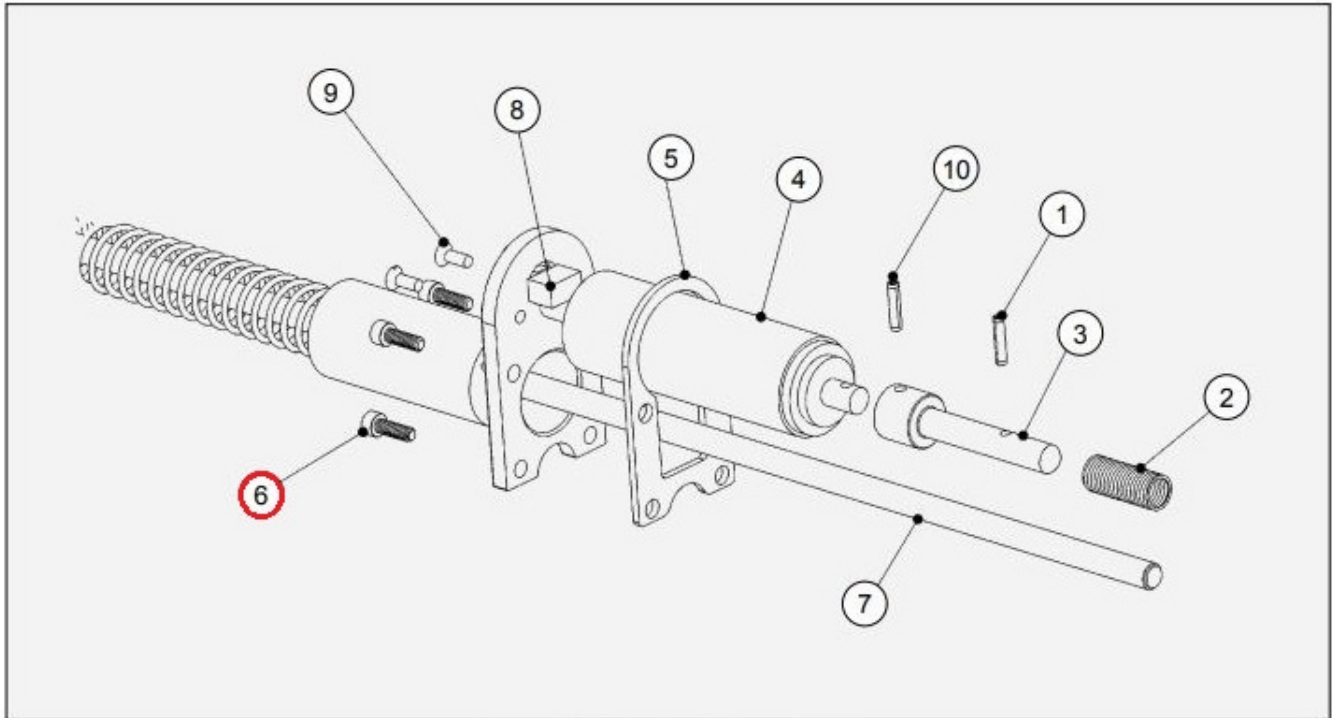
## Short Description

Ransburg 8301-16C SHCS #8 Screw is used to attach the cable & handle assembly to the barrel. Four screws are required for each of the assemblies, keep spare screws on hand in case these are lost during routine maintenance.

## Description

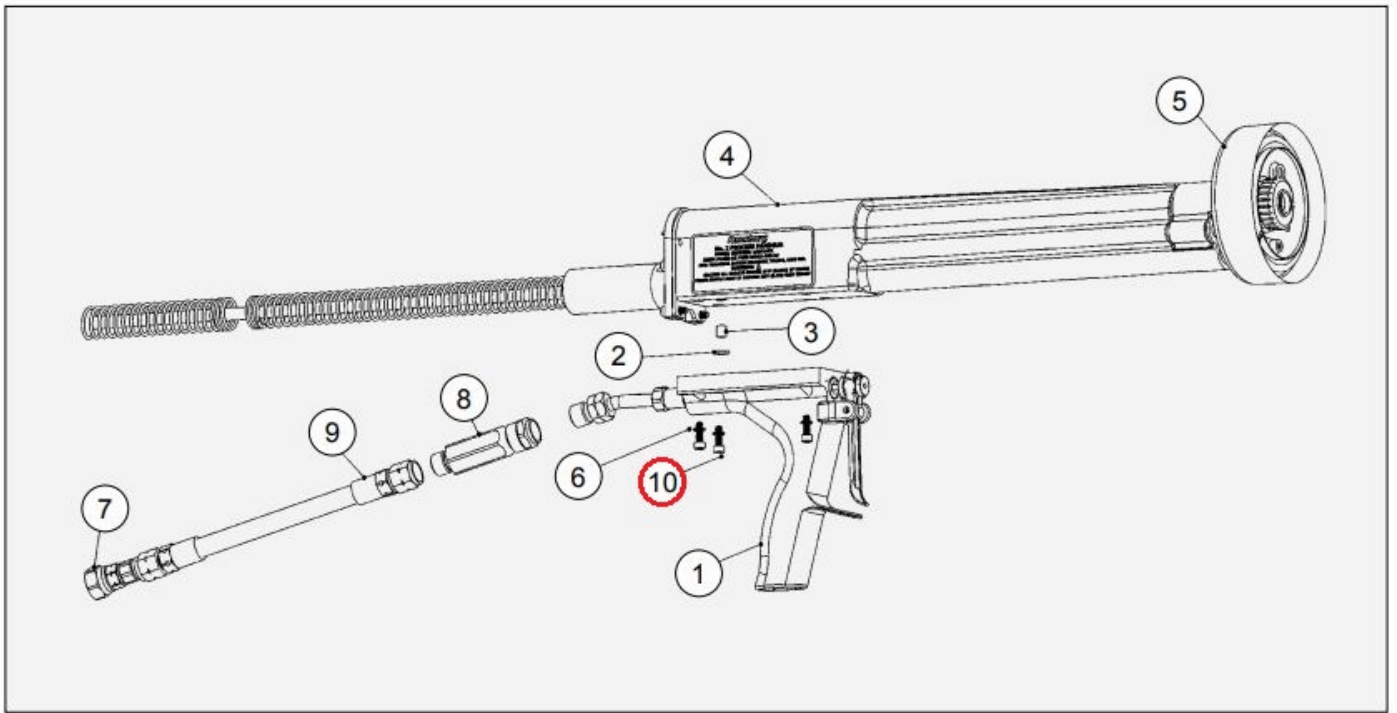
Ransburg 8301-16C SHCS #8 Screw is used to attach the cable & handle assembly to the barrel. Four screws are required for each of the assemblies, keep spare screws on hand in case these are lost during routine maintenance.

Each screw requires 1 x 7734-03 Split Lock Washer #8.



**CABLE / MOTOR PARTS LIST** (Figure 27)

Item #	Description	Part #
1	Spring Pin	4359-01
2	Spring	8491-00
3	Adaptor, Drive	75757-00
4	Assembly, Electric Motor No. 2	3639-00
5	Gasket, No. 2 Handgun	3968-00
6	SHCS #8 Screw (4) Required	8301-16C
7	Assembly, Cable No. 2 Electric Motor (With Motor & Switch/Without)	
	7.6 m (25') length	19371-25 / 19370-25
	11 m (36') length	19371-36 / 19370-36
	15.2 m (50') length	19371-50 / 19370-50
8	Switch	4125-00
9	Screw, Flat HD. #10	9157-24F
10	Spring Pin	75757-00



### 19372-AAU PARTS BREAKOUT (Figure 26)

Item #	Description	Part #
1	No. 2 Handle Assembly	7233-00
2	O-ring	7554-07
3	Paint Bushing	2803-00
4	No. 2 Electric Barrel Assembly	8489-00
5	Bell 4" Assembly	11488-00
6	Split Lock S.S. Washer (4) Required	7734-03
7	Filter Assembly	7244-00
8	Fluid Filter Assembly	76938-02
9	Fluid Hose No. 2 Assembly	8340-XX
10	SHCS #8 Screw (4) Required	8301-16C

Ransburg Part No. 8301-16C

[Click here to see the full range of Ransburg No.2 Electrostatic Spare Parts](#)

AA Spray stock a full range of Ransburg electrostatic spray guns, spare parts and we are one of the few Authorised Ransburg Service Repair Agents in Australia.

## Additional Information

---

Brands	Ransburg
Equipment Type	Electrostatic Spray Guns
Machine Type	Electric 240V
Machine Model Number	No.2 Gun
OEM	Original Part

