



Ransburg 7734-03 Split Lock Washer #8

\$1.10
INCL. GST

Product Images



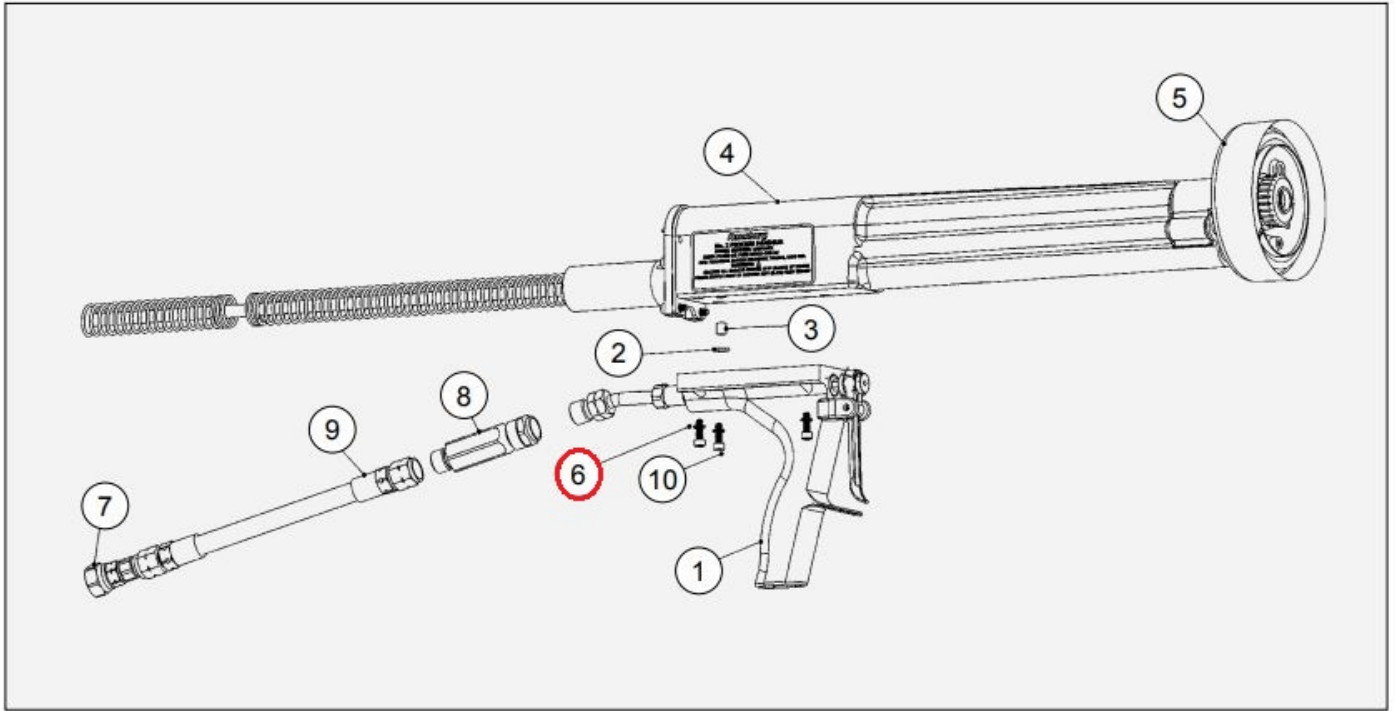
Short Description

Ransburg 7734-03 Split Lock Washer #8 is used with the 8301-16C #8 Screw to attach the cable & handle assembly to the barrel. Four split lock washers are required for each of the assemblies, keep spare split lock washers on hand in case these are lost during routine maintenance.

Description

Ransburg 7734-03 Split Lock Washer #8 is used with the 8301-16C #8 Screw to attach the cable & handle assembly to the barrel.

Four split lock washers are required for each of the assemblies, keep spare split lock washers on hand in case these are lost during routine maintenance.



19372-AAU PARTS BREAKOUT (Figure 26)

Item #	Description	Part #
1	No. 2 Handle Assembly	7233-00
2	O-ring	7554-07
3	Paint Bushing	2803-00
4	No. 2 Electric Barrel Assembly	8489-00
5	Bell 4" Assembly	11488-00
6	Split Lock S.S. Washer (4) Required	7734-03
7	Filter Assembly	7244-00
8	Fluid Filter Assembly	76938-02
9	Fluid Hose No. 2 Assembly	8340-XX
10	SHCS #8 Screw (4) Required	8301-16C

Ransburg Part No. 7734-03

[Click here to see the full range of Ransburg No.2 Electrostatic Spare Parts](#)

AA Spray stock a full range of Ransburg electrostatic spray guns, spare parts and we are one of the few Authorised Ransburg Service Repair Agents in Australia.

Additional Information

Brands	Ransburg
Equipment Type	Electrostatic Spray Guns
Machine Type	Electric 240V
Machine Model Number	No.2 Gun
OEM	Original Part

