



Ransburg 8491-00 Spring

\$15.02
INCL. GST

Product Images

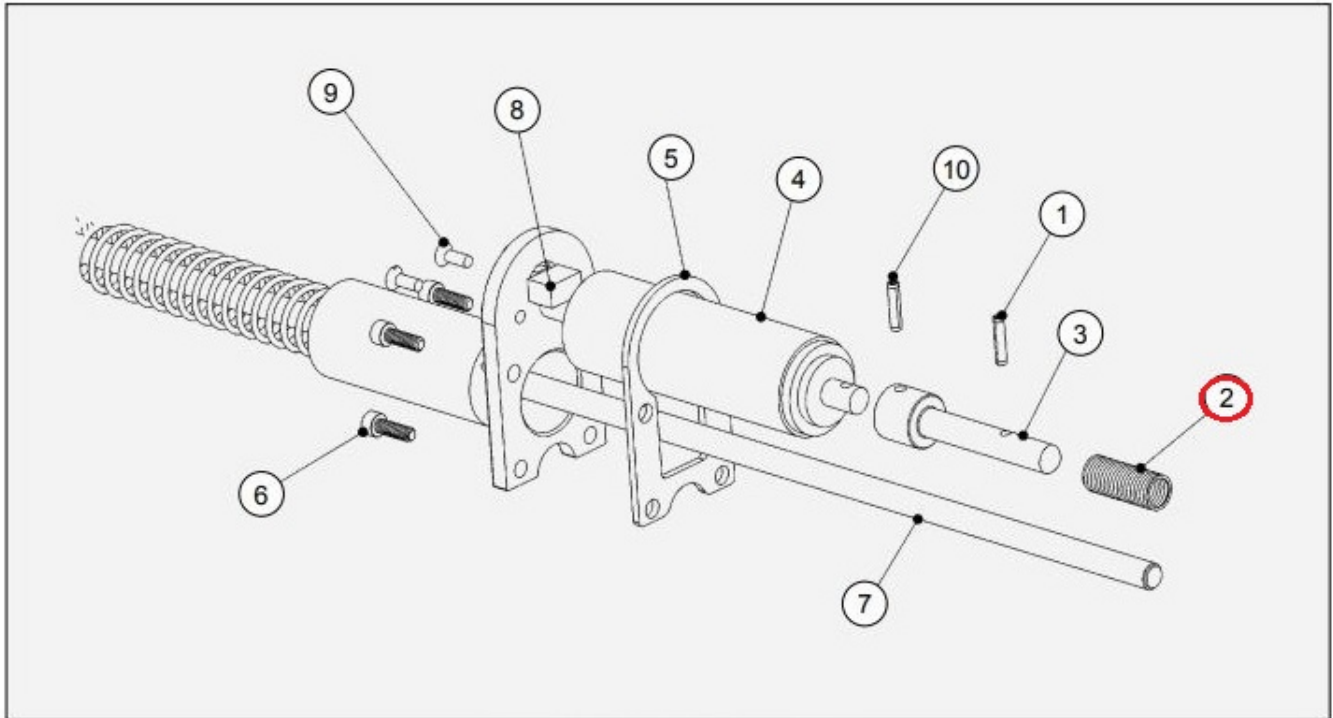


Short Description

Ransburg 8491-00 Spring is located between the drive adaptor and the main shaft that spins the bell. Spring can compress and lose its shape over years and may need to be replaced when performing work on the drive motor or cable assembly.

Description

Ransburg 8491-00 Spring is located between the drive adaptor and the main shaft that spins the bell. Spring can compress and lose its shape over years and may need to be replaced when performing work on the drive motor or cable assembly.



CABLE / MOTOR PARTS LIST (Figure 27)

Item #	Description	Part #
1	Spring Pin	4359-01
2	Spring	8491-00
3	Adaptor, Drive	75757-00
4	Assembly, Electric Motor No. 2	3639-00
5	Gasket, No. 2 Handgun	3968-00
6	SHCS #8 Screw (4) Required	8301-16C
7	Assembly, Cable No. 2 Electric Motor (With Motor & Switch/Without)	
	7.6 m (25') length	19371-25 / 19370-25
	11 m (36') length	19371-36 / 19370-36
	15.2 m (50') length	19371-50 / 19370-50
8	Switch	4125-00
9	Screw, Flat HD. #10	9157-24F
10	Spring Pin	75757-00

Ransburg Part No. 8491-00

[Click here to see the full range of Ransburg No.2 Electrostatic Spare Parts](#)

AA Spray stock a full range of Ransburg electrostatic spray guns, spare parts and we are one of the few Authorised Ransburg Service Repair Agents in Australia.

Additional Information

Brands	Ransburg
Equipment Type	Electrostatic Spray Guns
Machine Type	Electric 240V
Machine Model Number	No.2 Gun
OEM	Original Part

