



Ransburg 3959-00 Seal Resistor Machined

\$21.12
INCL. GST

Product Images

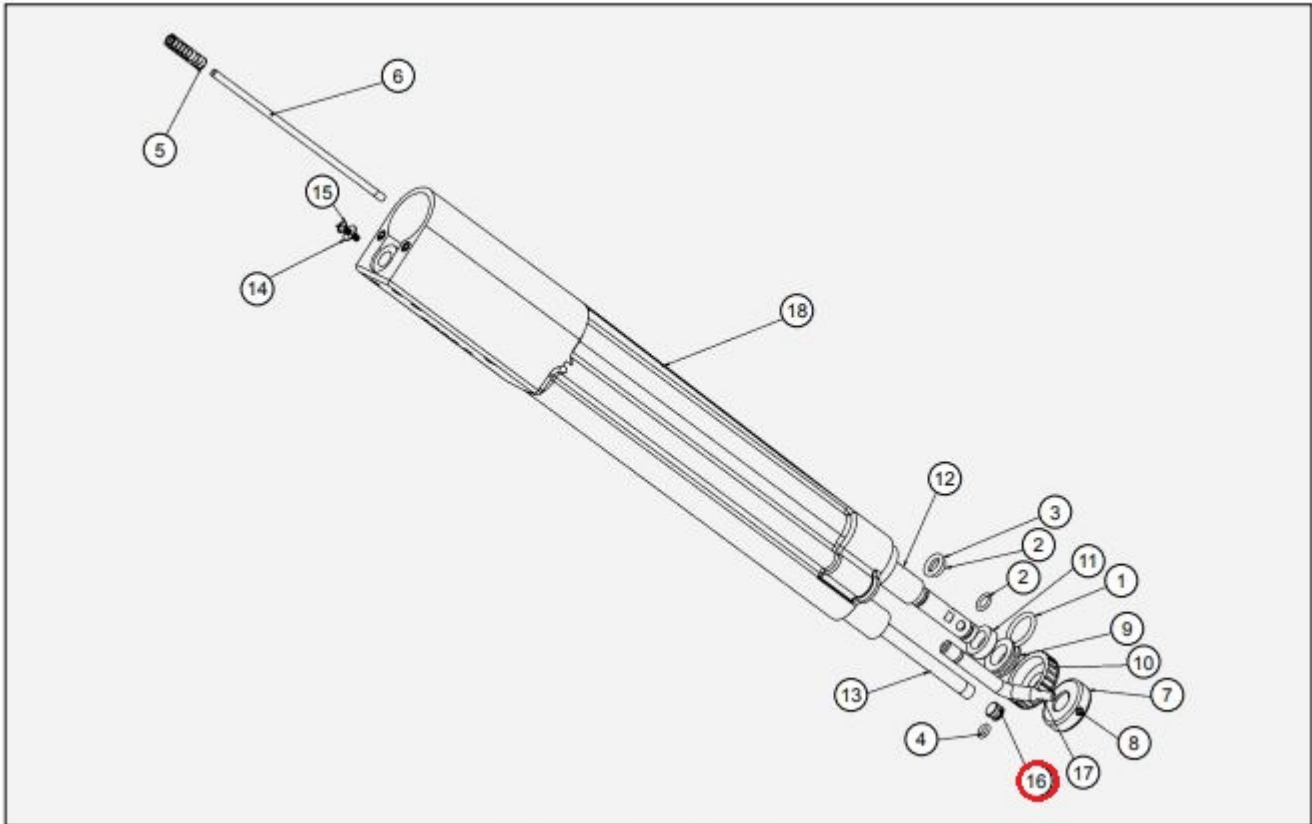


Short Description

Ransburg 3959-00 Seal Resistor Machined is located on the under side of the barrel between the brush and the 525 Meg Ohm Resistor. Seal resistor machined does not include [7554-06](#) O-Ring.

Description

Ransburg 3959-00 Seal Resistor Machined is located at the end of the barrel between the brush assembly and the 525 Meg Ohm Resistor. Seal resistor machined does not include 7554-06 O-Ring.



BARREL PARTS LIST (Figure 30)

Item #	Description	Part #
1	O-Ring	7554-20
2	O-Ring	7554-08
3	O-Ring	7554-13
4	O-Ring	7554-06
5	Spring	14003-00
6	Resistor, 10 Gig Ohm	4175-01
7	Collar	6714-00
8	Flat Point Set Screw	8488-12F
9	Seal, Outer	6710-00
10	Nut, Machined	6713-00
11	Seal, Inner	6711-00
12	Shaft Sub-Assembly	7225-00
13	Resistor, 525 Meg Ohm	2842-01
14	Washer	7486-06
15	Screw, Rd Hd. #6	7747-12C
16	Seal Resistor, Machined	3959-00
17	Tube Feed, 4"	3700-00
18	Assembly, Barrel Housing And Bushing	8489-00

[Click here to see the full range of Ransburg No.2 Electrostatic Spare Parts](#)

AA Spray stock a full range of Ransburg electrostatic spray guns, spare parts and we are one of the few Authorised Ransburg Service Repair Agents in Australia.

Additional Information

Brands	Ransburg
Equipment Type	Electrostatic Spray Guns
Machine Type	Electric 240V
Machine Model Number	No.2 Gun
OEM	Original Part

