



Graco 183169 Spring Retaining

\$9.13
INCL. GST

Product Images



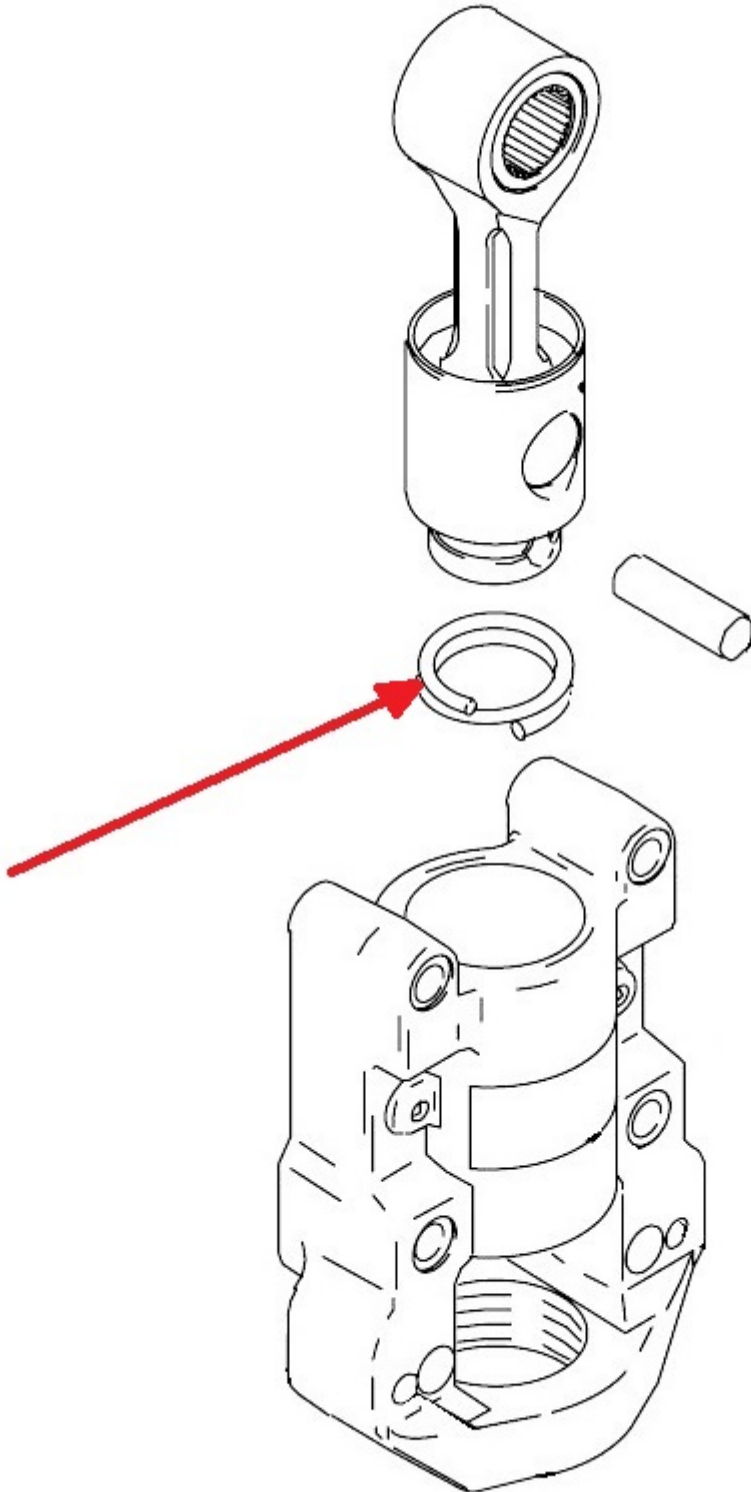
Short Description

Graco 183169 Spring Retaining is used with Graco UltraMax II 1095, Mark V Texspray and 5900 Gmax II airless sprayers with standard pumps. The retaining ring is designed to keep the connecting pin between the conrod and piston rod in place.

Description

Graco 183169 Spring Retaining is used with Graco UltraMax II 1095, Mark V Texspray and 5900 Gmax II airless sprayers with standard pumps. The retaining ring is designed to keep the connecting pin between the connecting rod and piston rod in place.

Graco 183169 Spring Retaining is approx 31mm in diameter.



Graco 183169 Spring Retaining will suit the following models -

- Graco 1095 UltraMax II Standard
- Graco Mark V Texpray Standard
- Graco 5900 GMax II Standard
- Graco LineLazer II 5900
- Graco LineLazer III 5900

Please refer to the correct user manual for your model machine before ordering.

Graco Part No. 183169

[Visit our product download centre for manuals & spare parts](#)

Additional Information

Brands	Graco
Equipment Type	Airless Sprayers, Line Marking Machines
Machine Type	Electric 240V, Petrol
Machine Model Number	1095 UltraMax II, 5900 GMax II, 5900HD Gmax II, Mark V TexSpray
OEM	Original Part

