



Wagner 0538204A Vector Grip Needle Packing Seal Assembly

\$77.70
INCL. GST

Product Images



Short Description

Wagner 0538204A Vector Grip Needle Packing Seal Assembly will also suit Titan RX-Pro airless spray guns sold under the Titan/Spraytech label.

Description

Airless spray guns will require periodic service, over time and after many trigger pulls the carbide ball at the end of the needle will wear against seat on the diffuser. This will cause paint to leak or spit from the tip when you let go of the trigger.

Replacing the needle and diffuser (gun kit) is a normal part of airless sprayer maintenance and should be done as required. Keep a spare kit in your tool box to reduce down time on the job.

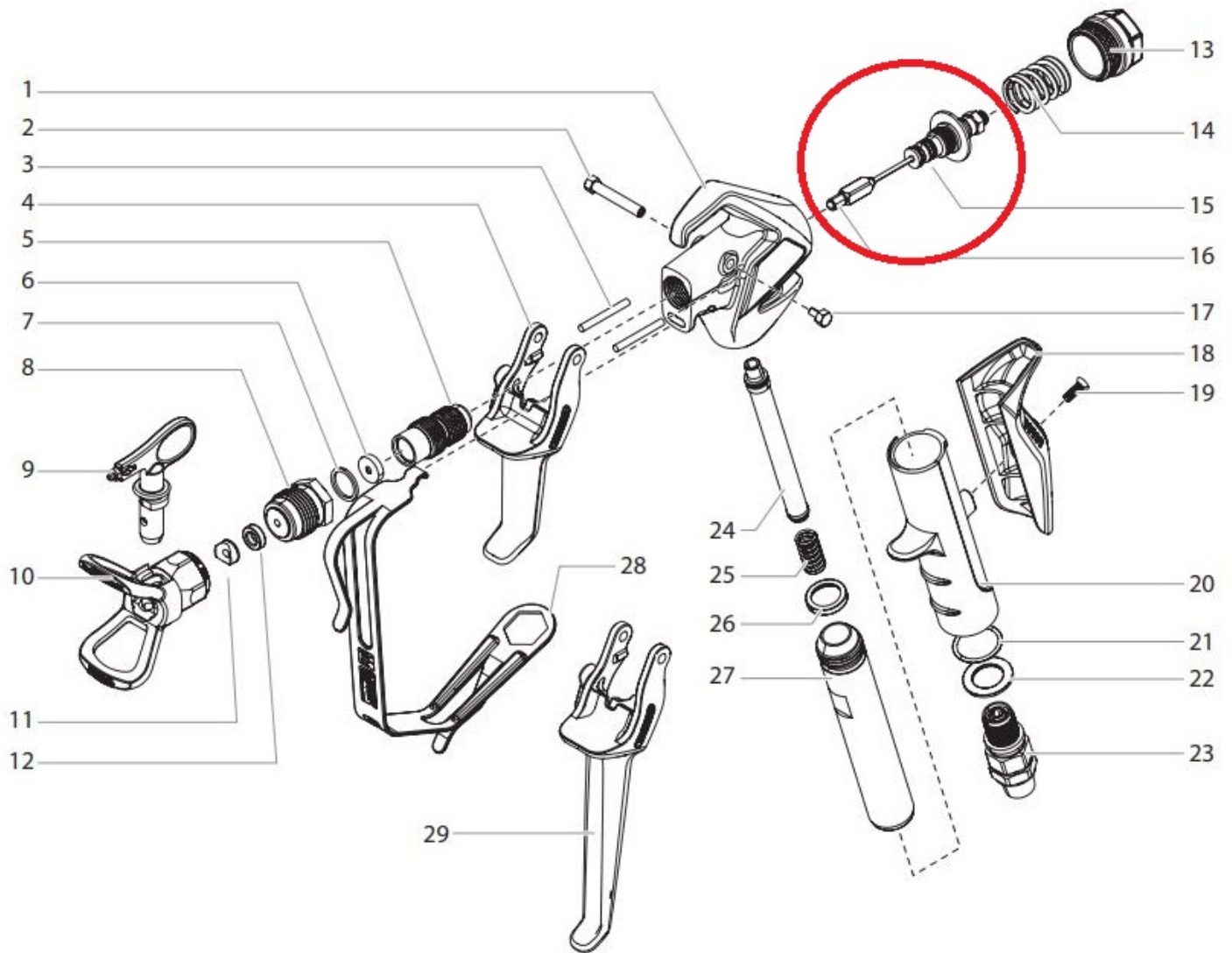
Suitable for the following model guns -

Wagner Vector Grip [0538048](#)

Titan RX-Pro 4 Finger Trigger [0538020](#)

Parts listing for Vector Grip -

- Item 1 - XXXXXX Not available
- Item 2 - [0538306 Trigger Screw Long](#)
- Item 3 - [0538305 Retractor Pin](#)
- Item 4 - [0538224 Trigger Two Finger](#)
- Item 5 - XXXXXX Not available
- Item 6 - [594-033 Carbide Seat](#)
- Item 7 - [594-006 Diffuser O Ring](#)
- Item 8 - [05382322 Diffuser, 7/8" Thread](#)
- Item 9 - [0553XXX Reversible Tip](#)
- Item 10 - [0289390 Tip Guard, 7/8" Thread](#)
- Item 11 - [0297007 Tip Saddle](#)
- Item 12 - [0508423 Tip Seal](#)
- Item 13 - [0538323 End Cap](#)
- Item 14 - [0538324 Packing Spring](#)
- Item 15 - [0538204A Packing Seal Assembly](#)
- Item 16 - XXXXXX Not available
- Item 17 - [580-513 Trigger Screw Short](#)
- Item 18 - [0538229 Handle Grip Medium](#)
- Item 19 - [9805470 Handle Grip Screw](#)
- Item 20 - [0538315 Handle](#)
- Item 21 - [0538342 O Ring](#)
- Item 22 - [0538337 Washer](#)
- Item 23 - [0538205 Swivel](#)
- Item 24 - [0034377 White Push In Filter](#)
- Item 25 - [0296343 Spring](#)
- Item 26 - [560-038 Handle Seal](#)
- Item 27 - [0296344 Tube](#)
- Item 28 - [0538320 Trigger Guard](#)
- Item 29 - [0538222 Trigger Four Finger](#)



Items recommended to buy with this part-

Item 6 - [594-033](#) Vector Grip Carbide Seat

Item 7 - [594-006](#) Vector Grip Carbide Seat Seal

Wagner Part No. 0538204A

Titan Part No. 0538204

[Click here to see the full range of Wagner Vector Grip Parts](#)

Additional Information

Brands	Titan, Wagner
Equipment Type	Airless Sprayers, Line Marking Machines
Machine Type	Airless Spray Guns
Machine Model Number	Vector Grip Airless Spray Gun, RX-Pro Airless Spray Gun
OEM	Original Part

