



Wagner 594-033 Vector Grip Carbide Seat

\$68.28
INCL. GST

Product Images



Short Description

Wagner 594-033 Vector Grip Carbide Seat will also suit Titan RX-Pro airless spray guns sold under the Titan/Spraytech label.

Description

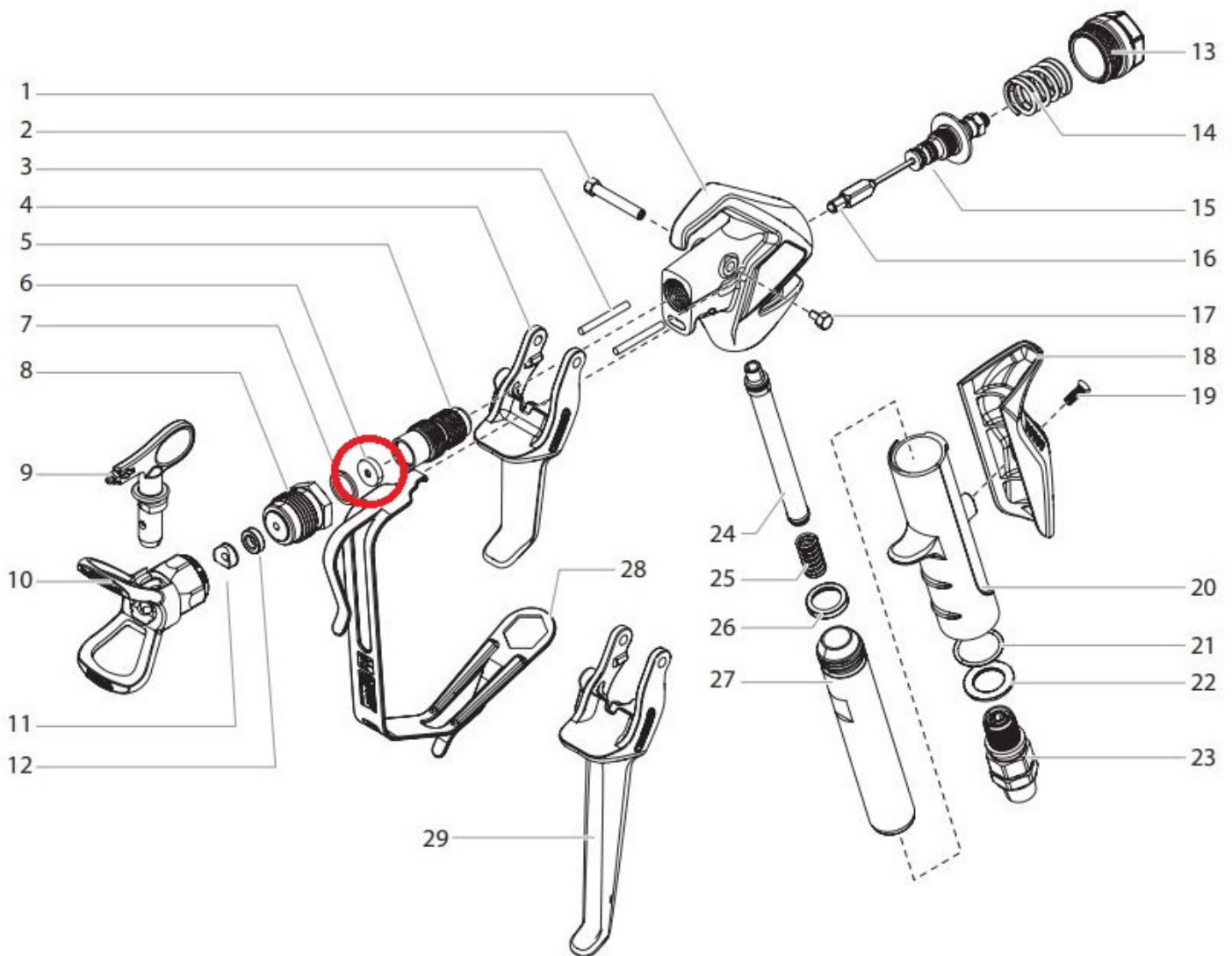
Airless spray guns will require periodic service, over time and after many trigger pulls the carbide ball at the end of the needle will wear against seat on the diffuser. This will cause paint to leak or spit from the tip when you let go of the trigger.

Replacing the needle and diffuser (gun kit) is a normal part of airless sprayer maintenance and should be done as required. Keep a spare kit in your tool box to reduce down time on the job.

Seat will suit the following model guns -

Wagner Vector Grip [0538048](#)

Titan RX-Pro 4 Finger Trigger [0538020](#)



Items recommended to buy with this part-

Item 7 - [594-006](#) Vector Grip Carbide Seat Seal

Item 15 - [0538204A](#) Vector Grip Needle Packing Seal Assembly

Wagner Part No. 594-033

[Click here to see the full range of Wagner Vector Grip Parts](#)

Additional Information

Brands	Titan, Wagner
Equipment Type	Airless Sprayers, Line Marking Machines
Machine Type	Airless Spray Guns
Machine Model Number	Vector Grip Airless Spray Gun, RX-Pro Airless Spray Gun, LX-80 Platinum Airless Spray Gun
OEM	Original Part

