



Wagner 0538305 Vector Retractor Pin

\$6.82
INCL. GST

Product Images



Short Description

Wagner 0538305 Vector Retractor Pin will also suit Wagner Vector Pro, Wagner Vector Grip, Titan RX-80 and Titan RX-Pro airless spray guns.

Description

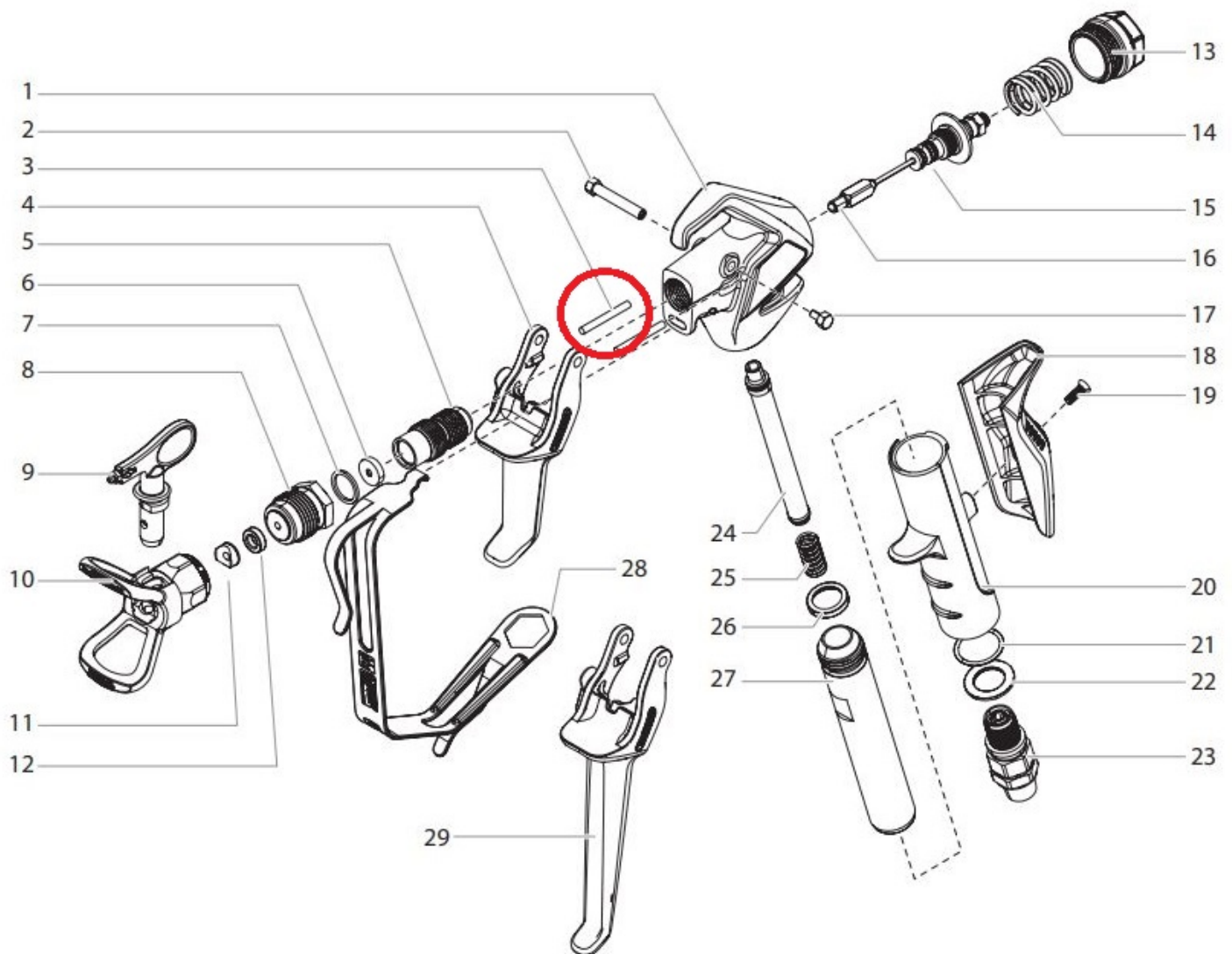
Wagner 0538305 Vector Retractor Pin will also suit Wagner Vector Pro, Wagner Vector Grip, Titan RX-80 and Titan RX-Pro airless spray guns. Trigger pins can wear against the trigger causing the gun to not open properly or easily become lost when dismantling the gun for service.

Retractor Pin will suit the following model guns -

Wagner Vector Pro [0538046](#)

Wagner Vector Grip [0538048](#)

Titan RX-Pro 4 Finger Trigger [0538020](#)



Wagner Part No. 0538305

Titan Part No. 0538305

[Click here to see the full range of Wagner Vector Grip Parts](#)

Additional Information

Brands	Titan, Wagner
Equipment Type	Airless Sprayers, Line Marking Machines
Machine Type	Airless Spray Guns
Machine Model Number	RX-80 Airless Spray Gun, Vector Pro Airless Spray Gun, Vector Grip Airless Spray Gun, RX-Pro Airless Spray Gun
OEM	Original Part

