



Wagner 0538306 Vector Trigger Screw Long

\$4.95
INCL. GST

Product Images



Short Description

Wagner 0538306 Vector Trigger Screw Long will suit Wagner AG-08, Wagner Vector Pro, Wagner Vector Grip, Titan RX-80 and Titan RX-Pro airless spray guns.

Description

Wagner 0538306 Vector Trigger Screw Long will suit Wagner AG-08, Wagner Vector Pro, Wagner Vector Grip, Titan RX-80 and Titan RX-Pro airless spray guns. The screws are often lost because the short screw (part no. [0296284](#)) that retains the assembly either doesn't have enough or any loctite when produced.

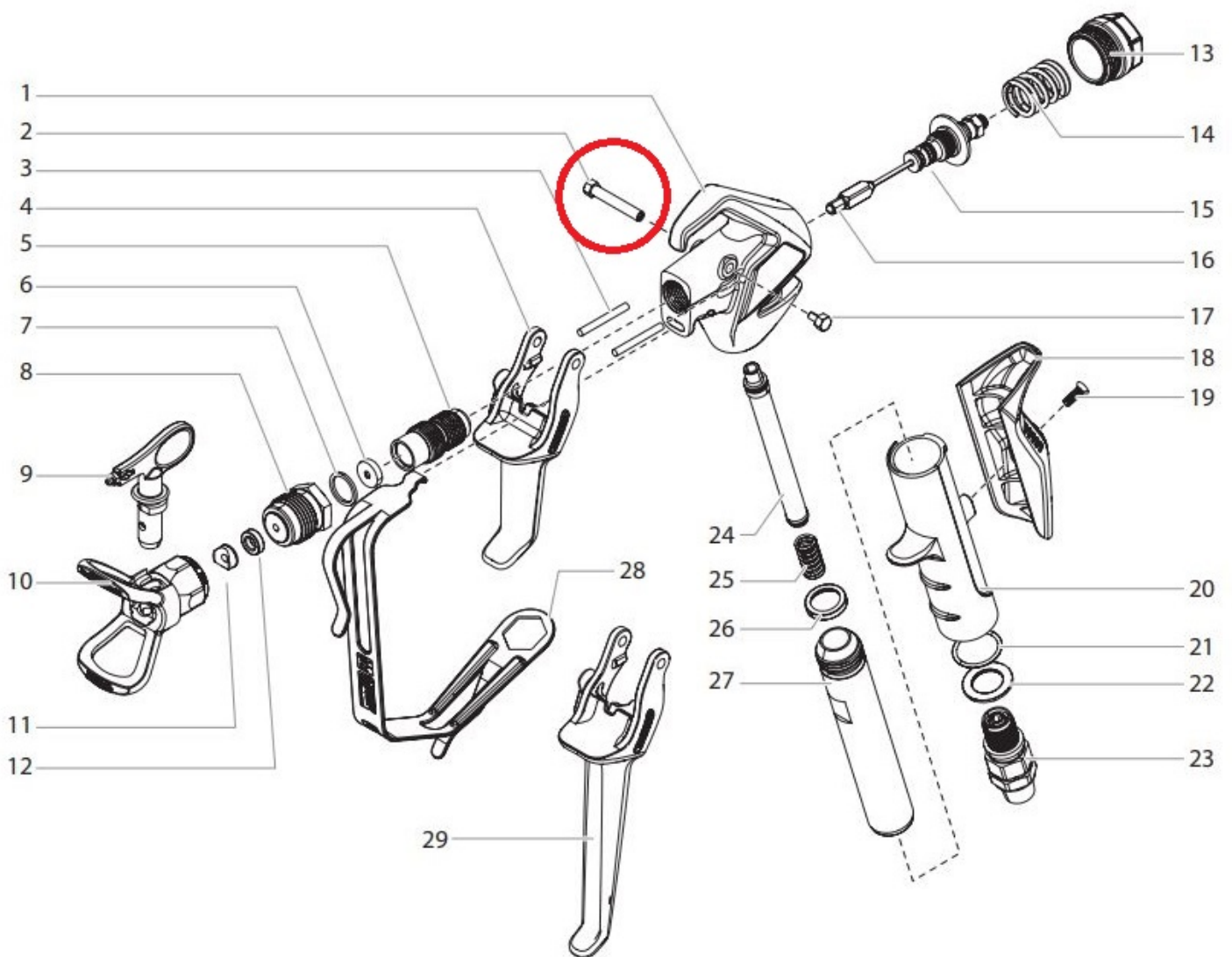
Item will suit the following model guns -

Wagner AG-08 4 [0296386](#)

Wagner Vector Pro [0538046](#)

Wagner Vector Grip [0538048](#)

Titan RX-Pro [0538020](#)



Items recommended to buy with this part-

Item 17 - [0296284](#) Trigger Screw Short

Wagner Part No. 0538306

Titan Part No. 0538306

[Click here to see the full range of Wagner Vector Grip Parts](#)

Additional Information

Brands	Titan, Wagner
Equipment Type	Airless Sprayers, Line Marking Machines
Machine Type	Airless Spray Guns
Machine Model Number	LX-80II Airless Spray Gun, AG-08 Airless Spray Gun, RX-80 Airless Spray Gun, Vector Pro Airless Spray Gun, Vector Grip Airless Spray Gun, RX-Pro Airless Spray Gun
OEM	Original Part

