



# Wagner 0296284 Vector Trigger Screw short

**\$7.04**  
**INCL. GST**

## Product Images



## Short Description

---

Wagner 0296284 Vector Trigger Screw short will suit Wagner AG-08, Wagner Vector Pro, Wagner Vector Grip, Titan RX-80 and Titan RX-Pro airless spray guns.

## Description

Wagner 0296284 Vector Trigger Screw short will suit Wagner AG-08, Wagner Vector Pro, Wagner Vector Grip, Titan RX-80 and Titan RX-Pro airless spray guns. The screws are often lost because the threads are not always coated with loctite when produced in the factory. We recommend to use a low strength screw lock such as [BondLoc B222](#).

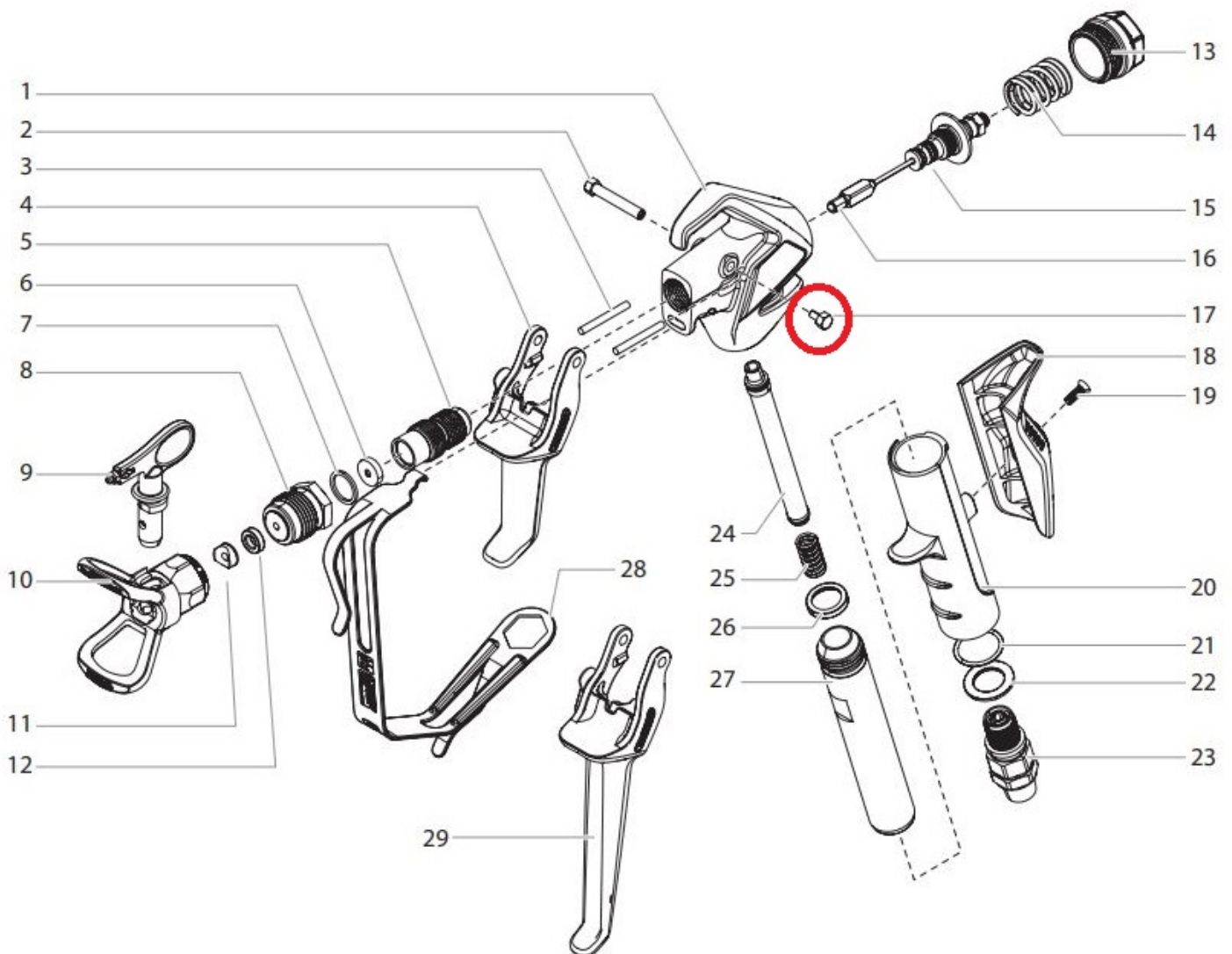
### Item will suit the following model guns -

Wagner AG-08 4 [0296386](#)

Wagner Vector Pro [0538046](#)

Wagner Vector Grip [0538048](#)

Titan RX-Pro [0538020](#)



### Items recommended to buy with this part-

Item 2 - [0538306](#) Trigger Screw Long

Wagner Part No. 0296284

Titan Part No. 580-513

---

[Click here to see the full range of Wagner Vector Grip Parts](#)

## Additional Information

---

Brands	Titan, Wagner
Equipment Type	Airless Sprayers, Line Marking Machines
Machine Type	Airless Spray Guns
Machine Model Number	LX-80II Airless Spray Gun, AG-08 Airless Spray Gun, RX-80 Airless Spray Gun, Vector Pro Airless Spray Gun, Vector Grip Airless Spray Gun, RX-Pro Airless Spray Gun
OEM	Original Part

