



# Wagner 0538205 Vector Swivel Handle

**\$53.70**  
**INCL. GST**

## Product Images



## Short Description

---

Wagner 0538205 Vector Swivel Handle will suit Wagner Vector Pro, Wagner Vector Grip, Titan RX-80 and Titan RX-Pro airless spray guns.

## Description

Wagner 0538205 Vector Swivel Handle will suit Wagner Vector Pro, Wagner Vector Grip, Titan RX-80 and Titan RX-Pro airless spray guns.

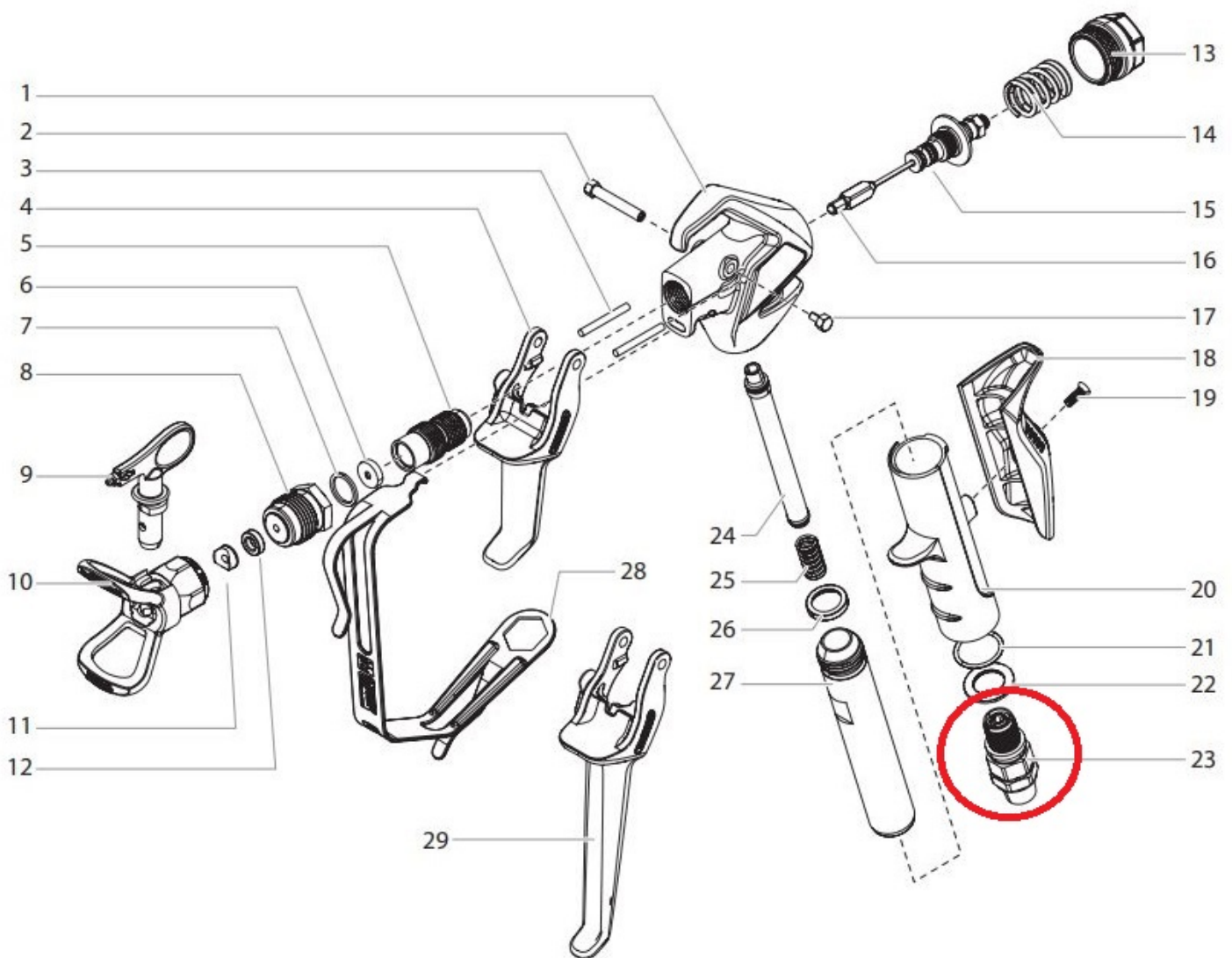
Please note the Wagner Vector Grip manual states that the swivel includes item 21 (Part No. 0538342) O Ring & item 22 (Part No. 0538337) Washer but they are not included, you will need to purchase these separately.

### Items will suit the following model guns -

Wagner Vector Pro [0538046](#)

Wagner Vector Grip [0538048](#)

Titan RX-Pro [0538020](#)



Wagner Part No. 0538205

[Click here to see the full range of Wagner Vector Grip Parts](#)

## Additional Information

---

Brands	Titan, Wagner
Equipment Type	Airless Sprayers, Line Marking Machines
Machine Type	Airless Spray Guns
Machine Model Number	RX-80 Airless Spray Gun, Vector Pro Airless Spray Gun, Vector Grip Airless Spray Gun, RX-Pro Airless Spray Gun
OEM	Original Part

