



Wagner 0538324 Vector Grip Packing Spring

\$3.91
INCL. GST

Product Images



Short Description

Wagner 0538324 Vector Grip Packing Spring will suit Wagner Vector Grip and Titan RX-Pro airless spray guns.

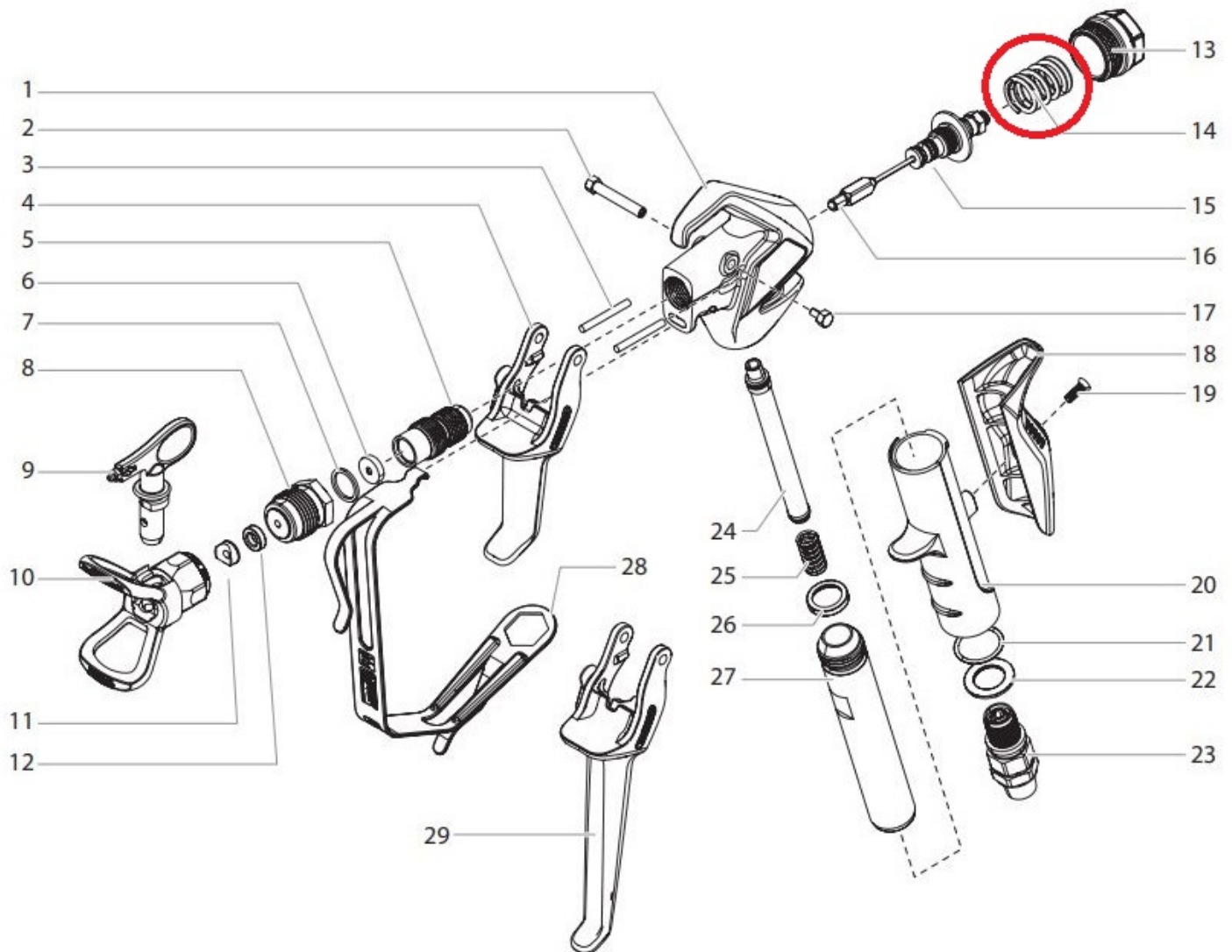
Description

Wagner 0538324 Vector Grip Packing Spring will suit Wagner Vector Grip and Titan RX-Pro airless spray guns. The Vector Grip packing spring is not a wearable item but could be lost if the end cap became unscrewed.

Items will suit the following model guns -

Wagner Vector Grip [0538048](#)

Titan RX-Pro [0538020](#)



Wagner Part No. 0538324

Titan Part No. 0538324

[Click here to see the full range of Wagner Vector Grip Parts](#)

Additional Information

Brands	Titan, Wagner
Equipment Type	Airless Sprayers, Line Marking Machines
Machine Type	Airless Spray Guns
Machine Model Number	Vector Grip Airless Spray Gun, RX-Pro Airless Spray Gun
OEM	Original Part

