



# Titan 584-045 LX-80 Platinum Gun Repair Kit OEM

**\$155.54**  
**INCL. GST**

## Product Images



## Short Description

---

Titan 584-045 LX-80 Platinum Gun Repair Kit OEM, includes carbide seat, seat o ring and needle packing seal assembly with lock nut.

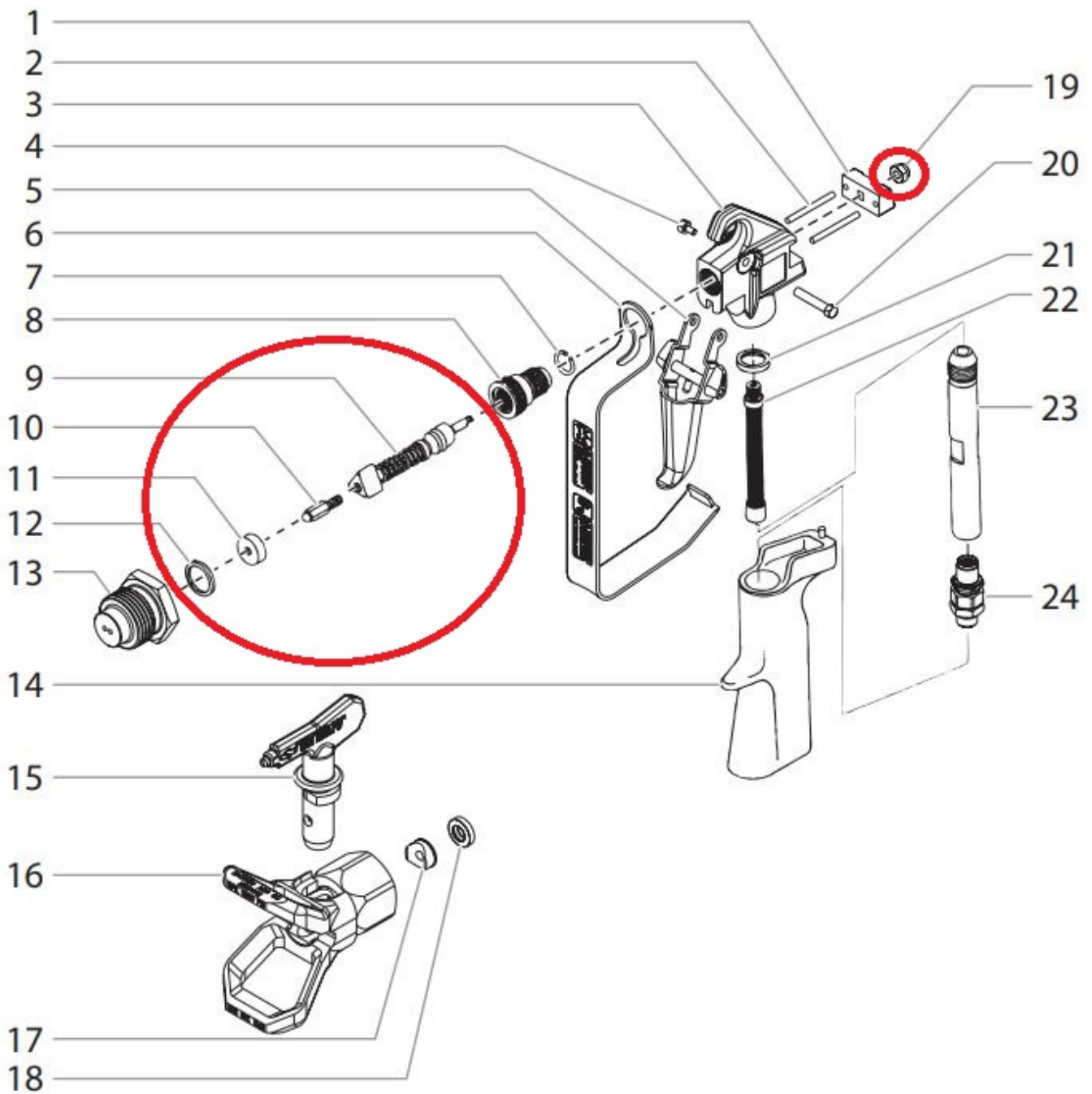
## Description

Airless spray guns will require periodic service, over time and after many trigger pulls the carbide ball at the end of the needle will wear against seat on the diffuser. This will cause paint to leak or spit from the tip when you let go of the trigger.

Replacing the needle and diffuser (gun kit) is a normal part of airless sprayer maintenance and should be done as required. Keep a spare kit in your tool box to reduce down time on the job.

### Suitable for the following model guns -

Titan LX-80 Platinum Airless Spray Gun (Part No. 584-100)



Titan Part No. 584-045

[Click here to see the full range of Wagner Gun Repair Kits](#)

## Additional Information

---

Brands	Titan
Equipment Type	Airless Sprayers
Machine Type	Airless Spray Guns
Machine Model Number	LX-80 Platinum Airless Spray Gun
OEM	Original Part

