



# Wagner 0296343 Filter Spring

**\$4.99**  
**INCL. GST**

## Product Images



## Short Description

---

Wagner 0296343 Filter Spring will suit Wagner Vector Grip and Titan RX-Pro airless spray guns.

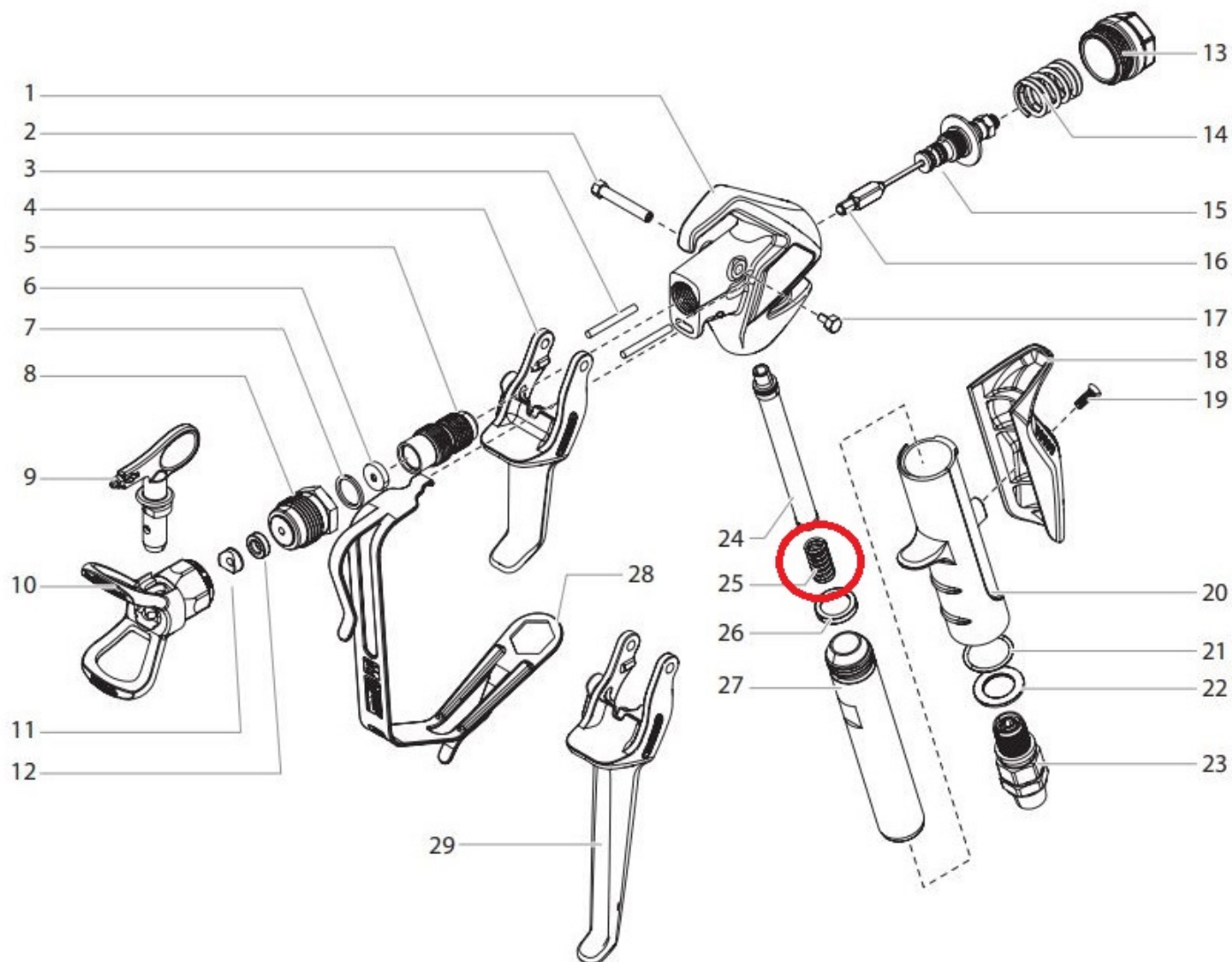
## Description

Wagner 0296343 Filter Spring will suit Wagner Vector Grip and Titan RX-Pro airless spray guns.

**Items will suit the following model guns -**

Wagner Vector Grip [0538048](#)

Titan RX-Pro [0538020](#)



Wagner Part No. 0296343

Titan Part No. 0296343

[Click here to see the full range of Wagner Airless Spray Gun Parts](#)

## Additional Information

---

Brands	Titan, Wagner
Equipment Type	Airless Sprayers, Line Marking Machines
Machine Type	Airless Spray Guns
Machine Model Number	Vector Grip Airless Spray Gun, RX-Pro Airless Spray Gun
OEM	Original Part

