



Wagner 9805470 Vector Grip Handle Screw

\$2.99
INCL. GST

Product Images



Short Description

Wagner 9805470 Vector Grip Handle Screw will suit Wagner Vector Grip and Titan RX-Pro airless spray guns.

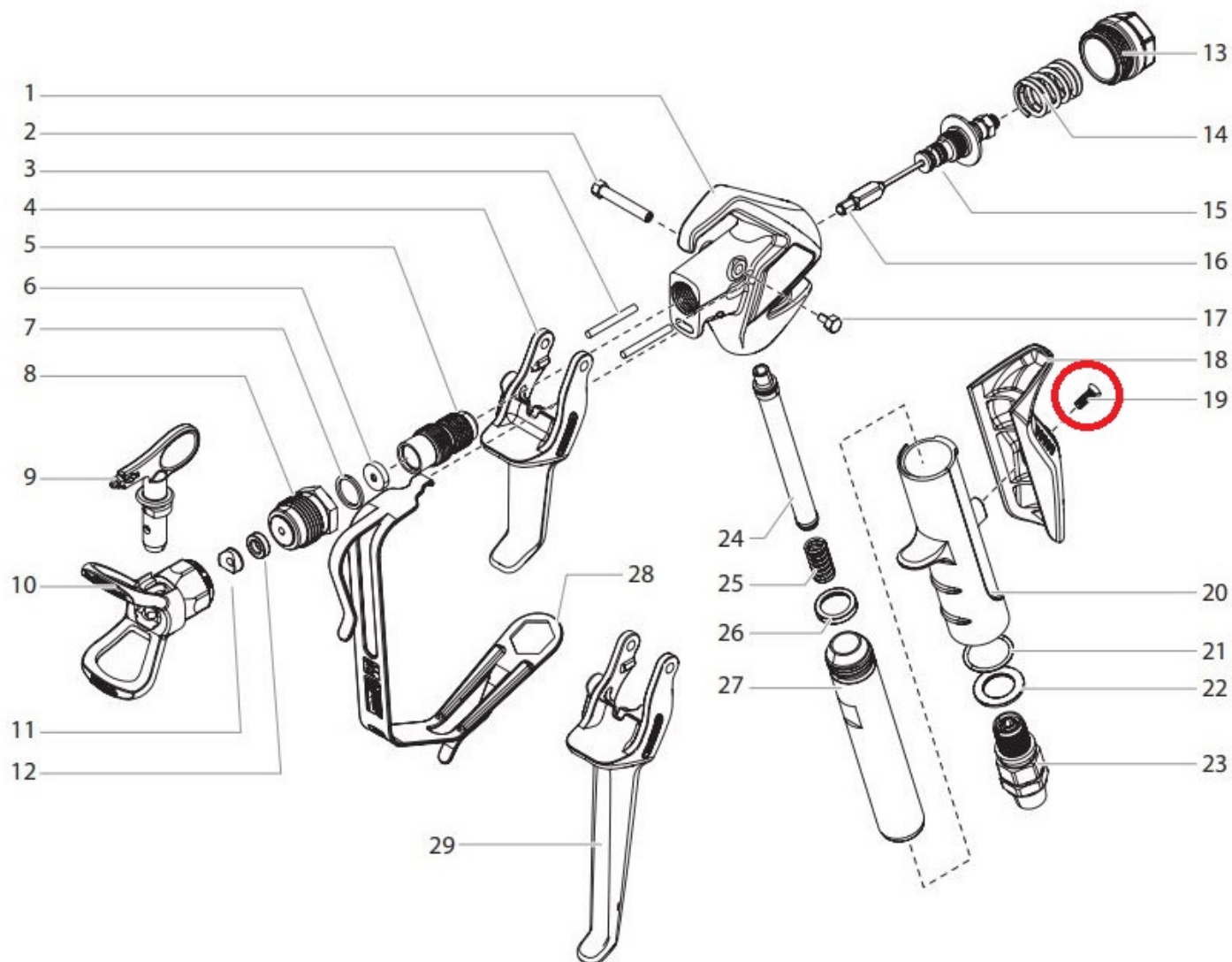
Description

Wagner 9805470 Vector Grip Handle Screw will suit Wagner Vector Grip and Titan RX-Pro airless spray guns.

Items will suit the following model guns -

Wagner Vector Grip [0538048](#)

Titan RX-Pro [0538020](#)



Wagner Part No. 9805470

Titan Part No. 9805470

[Click here to see the full range of Wagner Vector Grip Parts](#)

Additional Information

Brands	Titan, Wagner
Equipment Type	Airless Sprayers, Line Marking Machines
Machine Type	Airless Spray Guns
Machine Model Number	Vector Grip Airless Spray Gun, RX-Pro Airless Spray Gun
OEM	Original Part

