



Wagner 0538302 Vector Pro Handle

\$39.31
INCL. GST

Product Images



Short Description

Wagner 0538302 Vector Pro Handle will suit Wagner Vector Pro and Titan RX-80 airless spray guns.

Description

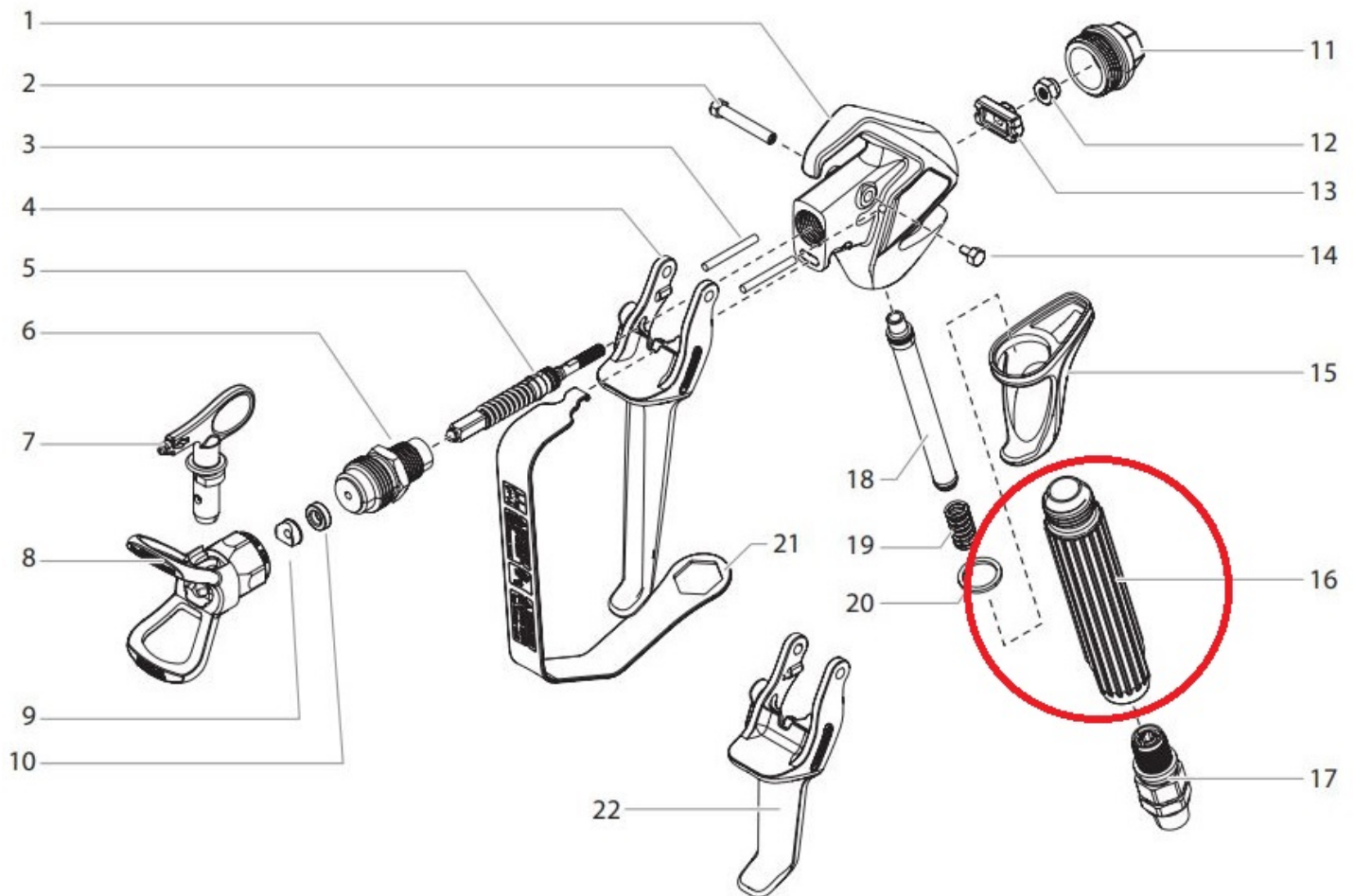
Wagner 0538302 Vector Pro Handle will suit Wagner Vector Pro and Titan RX-80 airless spray guns.

Items will suit the following model guns -

Wagner Vector Pro 4 Finger Trigger [0538046](#)

Wagner Vector Pro 2 Finger Trigger [0538047](#)

Titan RX-80 4 Finger Trigger [0538046-AA](#)



Wagner Part No. 0538302

Titan Part No. 0538302

[Click here to see the full range of Wagner Vector Pro Parts](#)

Additional Information

Brands	Titan, Wagner
Equipment Type	Airless Sprayers, Line Marking Machines
Machine Type	Airless Spray Guns
Machine Model Number	RX-80 Airless Spray Gun, Vector Pro Airless Spray Gun
OEM	Original Part

