



Wagner 9970123 Sealing Ring

\$8.55
INCL. GST

Product Images



Short Description

Wagner 9970123 Sealing Ring will suit Wagner Vector Pro and Titan RX-80 airless spray guns

Description

Wagner 9970123 Sealing Ring will suit Wagner Vector Pro and Titan RX-80 airless spray guns.

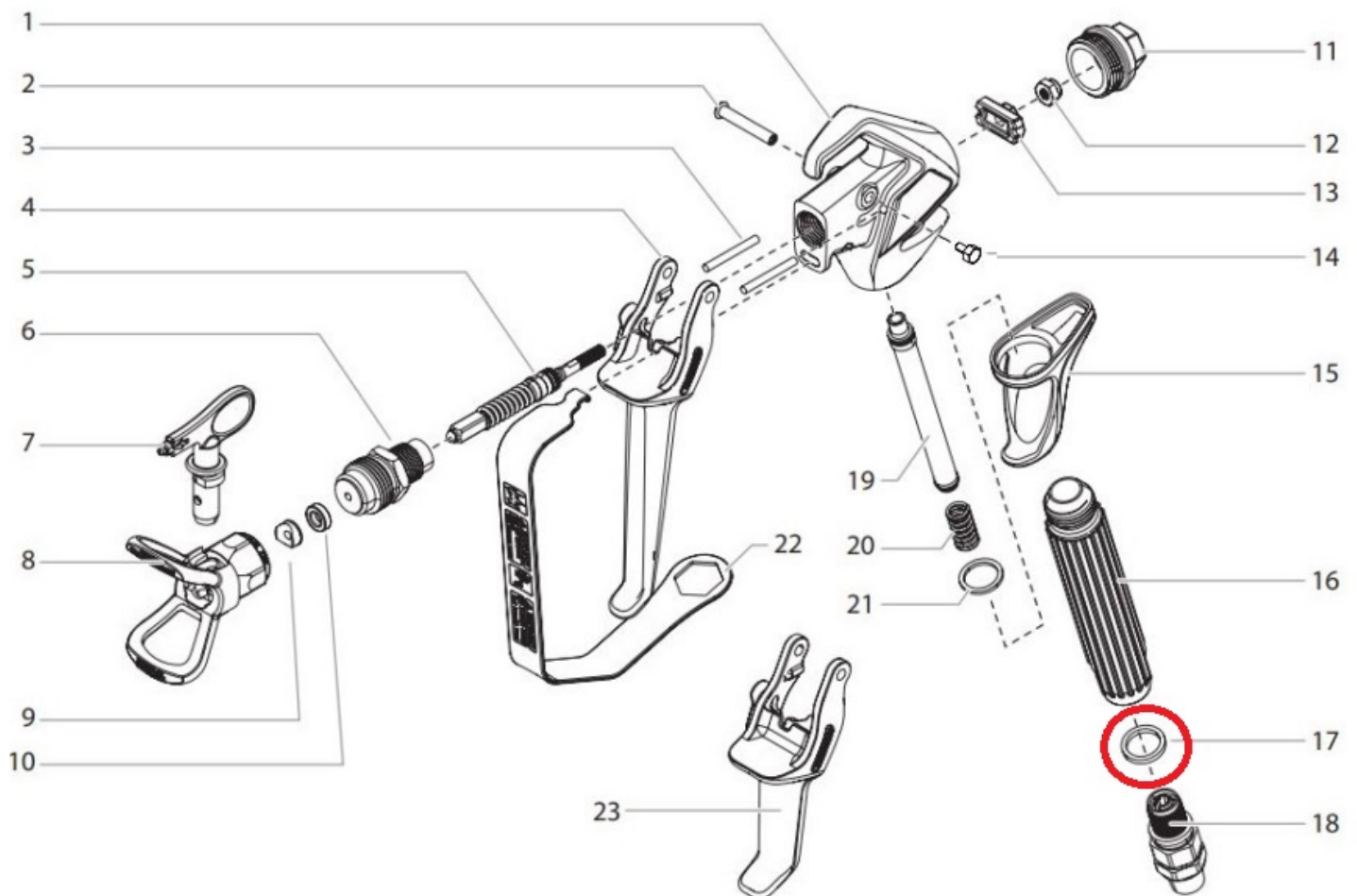
Sealing ring will be required when replacing the [0538302](#) Vector Pro Handle or [0538205](#) Vector Pro Swivel.

Items will suit the following model guns -

Wagner Vector Pro 4 Finger Trigger [0538046](#)

Wagner Vector Pro 2 Finger Trigger [0538047](#)

Titan RX-80 4 Finger Trigger [0538046-AA](#)



Wagner Part No. 9970123

Titan Part No. 9970123

[Click here to see the full range of Wagner Vector Pro Parts](#)

Additional Information

Brands	Titan, Wagner
Equipment Type	Airless Sprayers, Line Marking Machines
Machine Type	Airless Spray Guns
Machine Model Number	RX-80 Airless Spray Gun, Vector Pro Airless Spray Gun
OEM	Original Part

