



# Airlessco 331-093 Replacement LP Piston Assembly

Regular Price

**\$415.80** Special  
Price

**\$363.83**

**INCL. GST**

## Product Images



## Short Description

---

Airlessco 331-093 Replacement LP Piston Assembly will suit all "Little Pro" model airless sprayers & SureStripe 3650/4050 line marking machines. Complete pump kit includes all leather/teflon packing seals & balls.

## Description

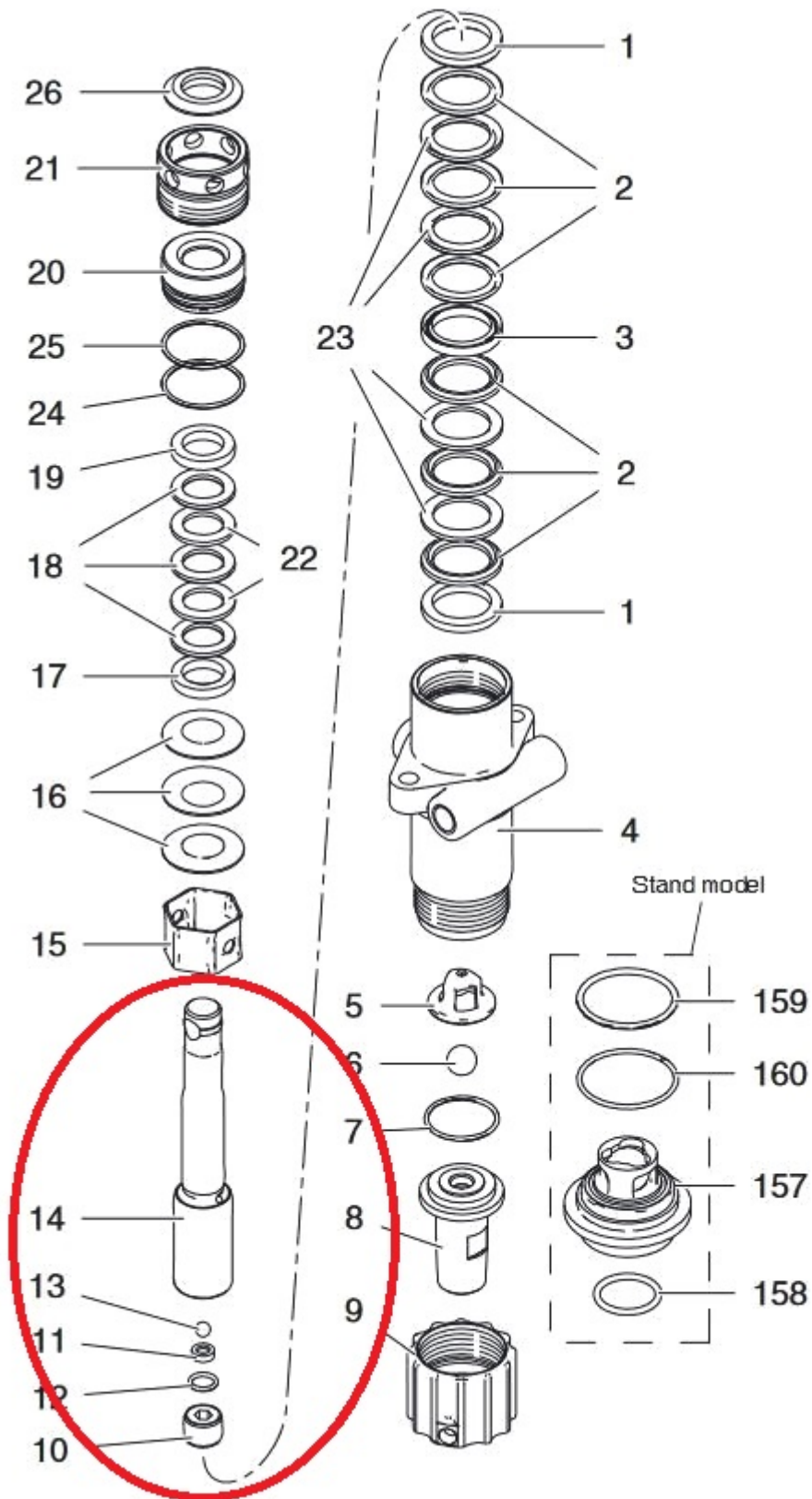
---

Airlessco 331-093 Replacement LP Piston Assembly will suit both old and new model LP or "Little Pro" airless sprayers.

### **Suits LP New Models Produced from 2014 -**

- **MP400 Manual** (Part No. 868056)
- **LP400 Manual** (Part No. 16M389)
- **LP500 Manual** (Part No. 16M390, 16M391)
- **LP600 Manual** (Part No. 16M392, 16M393)

### **Airlessco LP New Models Pump Breakdown -**



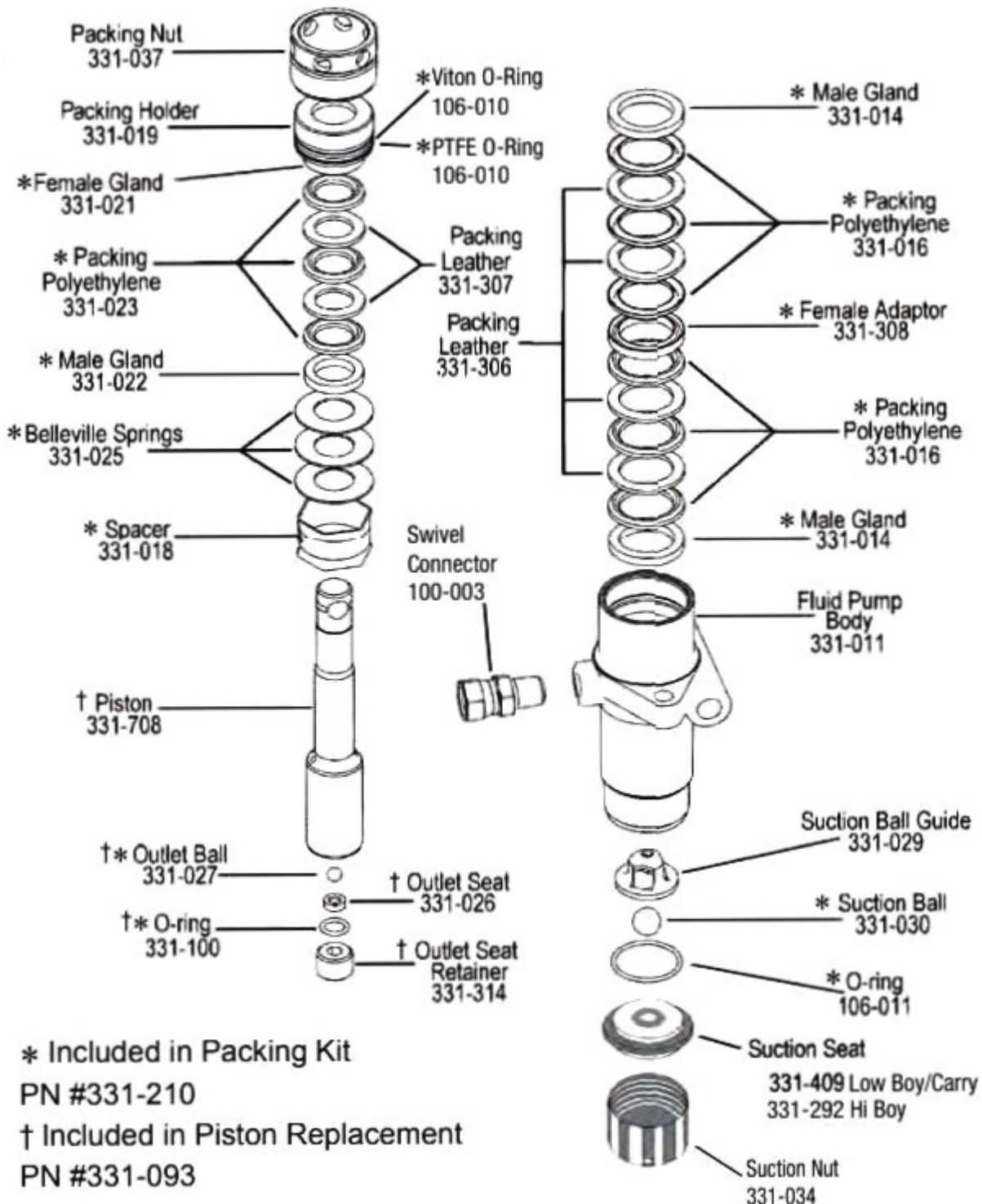
**Airlessco 331-093 Piston Assembly Includes -**

- Item 10 - 331314 Outlet Seat Retainer
- Item 11 - 331026 Outlet Seat
- Item 12 - 111457 O-Ring
- Item 13 - 331027 Outlet Ball Piston
- Item 14 - XXXXXX Piston

## Suits LP Old Models Produced before 2012 -

- **LP2400 Manual** (1999-2006)
- **LP2500 Manual** (1999-2006)
- **LP2600 Manual** (1999-2006)
- **LP400 Manual** (mechanical pressure control)
- **LP400 Manual** (2006 - 2012)
- **LP460 Manual** (2006 - 2012)
- **LP540 Manual** (2006 - 2012)
- **LP690 Manual** (2006 - 2012)

## Airlessco LP Old Models Pump Breakdown -



Atomex Part No. AX/A331-093

Replaces Airlessco Part No. 331-093

[Visit our product download centre for manuals & spare parts](#)

## Additional Information

Brands	Airlessco
Equipment Type	Airless Sprayers, Line Marking Machines
Machine Type	Electric 240V, Petrol
Machine Model Number	MP400, LP400 (Late Model), LP500, LP600, LP2400, LP2500, LP2600, LP400 (Mechanical Pressure), LP400 (Old Model), LP460, LP540, LP690, SureStripe 3650, SureStripe 4050
OEM	Aftermarket

