



Graco 112933 Muffler For Husky 307, 515 & 716 Pumps

\$52.58
INCL. GST

Product Images



Short Description

Graco 112933 Muffler For Husky 307, 515 & 716 Pumps is designed to reduce the noise generated by an air-operated diaphragm pump operating at high capacity. Suitable for use with the Husky 307, 515 & 716 diaphragm pump ranges.

Description

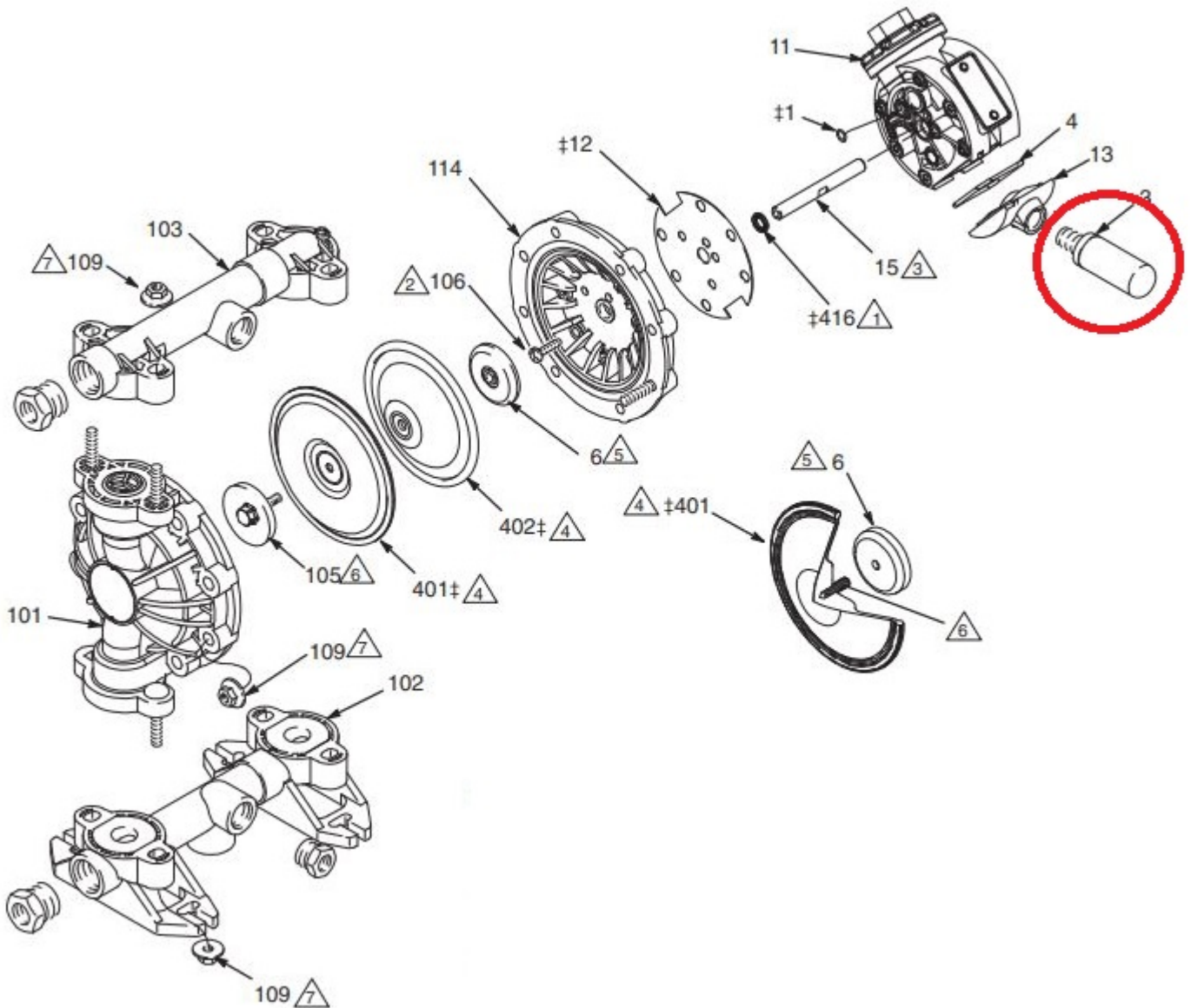
Graco 112933 Muffler For Husky 307, 515 & 716 Pumps is designed to reduce the noise generated by an air-operated diaphragm pump operating at high capacity. Suitable for use with the Husky 307, 515 & 716 diaphragm pump ranges.

Mufflers will deteriorate over time and eventually break apart increasing the exhaust noise from the pump, replacing the muffler every few years is recommended.

Item will suit the following model pumps -

- [Husky 307 Manual](#)
- [Husky 515 Manual](#)
- [Husky 716 Manual](#)

Item location shown on Husky 515



[Click here to view all manuals for Graco Husky Pumps](#)

Additional Information

Brands	Graco
Equipment Type	Double Diaphragm Pumps
Machine Type	Pneumatic
Machine Model Number	Zip 52
OEM	Original Part

