



Airlessco 331-027 LP Outlet Ball Piston

\$6.11
INCL. GST

Product Images



Short Description

Airlessco 331-027 LP Outlet Ball Piston will suit all "Little Pro" model airless sprayers, SureStripe 3650 & SureStripe 4050 Line Marking machines. Used in Airlessco 331-093 Piston Assembly.

Description

Airlessco 331-027 LP Outlet Ball Piston will suit all "Little Pro" model airless sprayers, SureStripe 3650 & SureStripe 4050 Line Marking machines. Used in Airlessco 331-093 Piston Assembly.

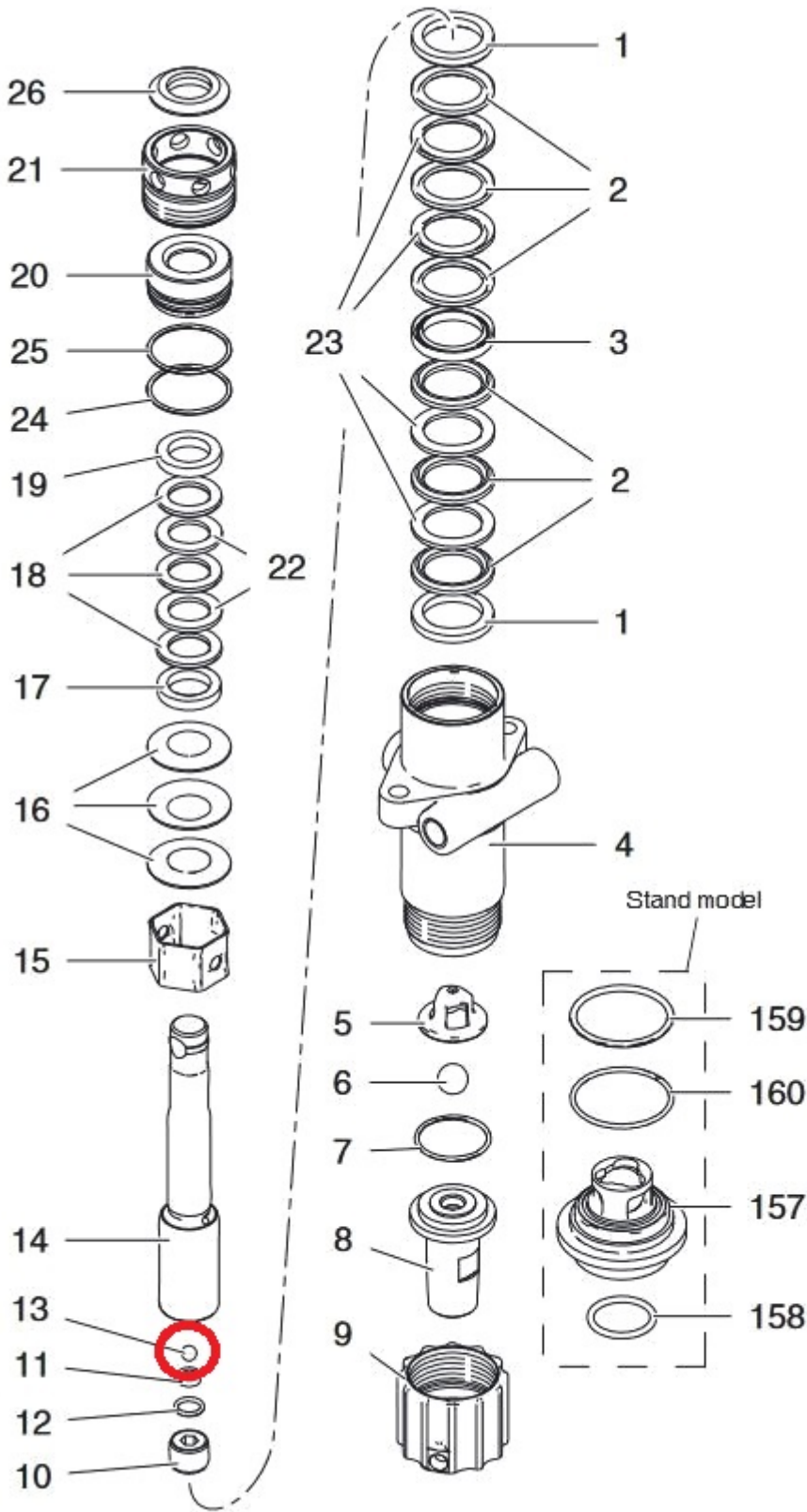
Suits LP New Models Produced after 2014 -

- **MP400 Manual** (Part No. 868056)
- **LP400 Manual** (Part No. 16M389)
- **LP500 Manual** (Part No. 16M390, 16M391)
- **LP600 Manual** (Part No. 16M392, 16M393)

Suits LP Old Models Produced before 2012 -

- **LP2400 Manual** (1999-2006)
- **LP2500 Manual** (1999-2006)
- **LP2600 Manual** (1999-2006)
- **LP400 Manual** (mechanical pressure control)
- **LP400 Manual** (2006 - 2012)
- **LP460 Manual** (2006 - 2012)
- **LP540 Manual** (2006 - 2012)
- **LP690 Manual** (2006 - 2012)

Item location shown on LP400



Airlessco 331-093 Piston Assembly Includes -

- Item 10 - 331314 Outlet Seat Retainer
- Item 11 - 331026 Outlet Seat
- Item 12 - 111457 O-Ring
- Item 13 - 331027 Outlet Ball Piston
- Item 14 - XXXXXX Piston
-

Airlessco Part No. 331027

Replaces Airlessco Part No. 331-027

[Visit our product download centre for manuals & spare parts](#)

Additional Information

Brands	Airlessco
Equipment Type	Airless Sprayers, Line Marking Machines
Machine Type	Electric 240V, Petrol Powered
Machine Model Number	MP400, LP400 (Late Model), LP500, LP600, LP2400, LP2500, LP2600, LP400 (Mechanical Pressure), LP400 (Old Model), LP460, LP540, LP690, SL5300, SureStripe 3650, SureStripe 4050
OEM	Original Part

