



Airlessco 866334 Sensor Black 4 Pin Connector

\$290.40
INCL. GST

Product Images



Short Description

Airlessco 866334 Sensor Black 4 Pin Connector to suit old LP (Little Pro), old SL810, SL1100 & SL1500 Airless Sprayers. Replaces Airlessco old part no. 331-249-99.

Description

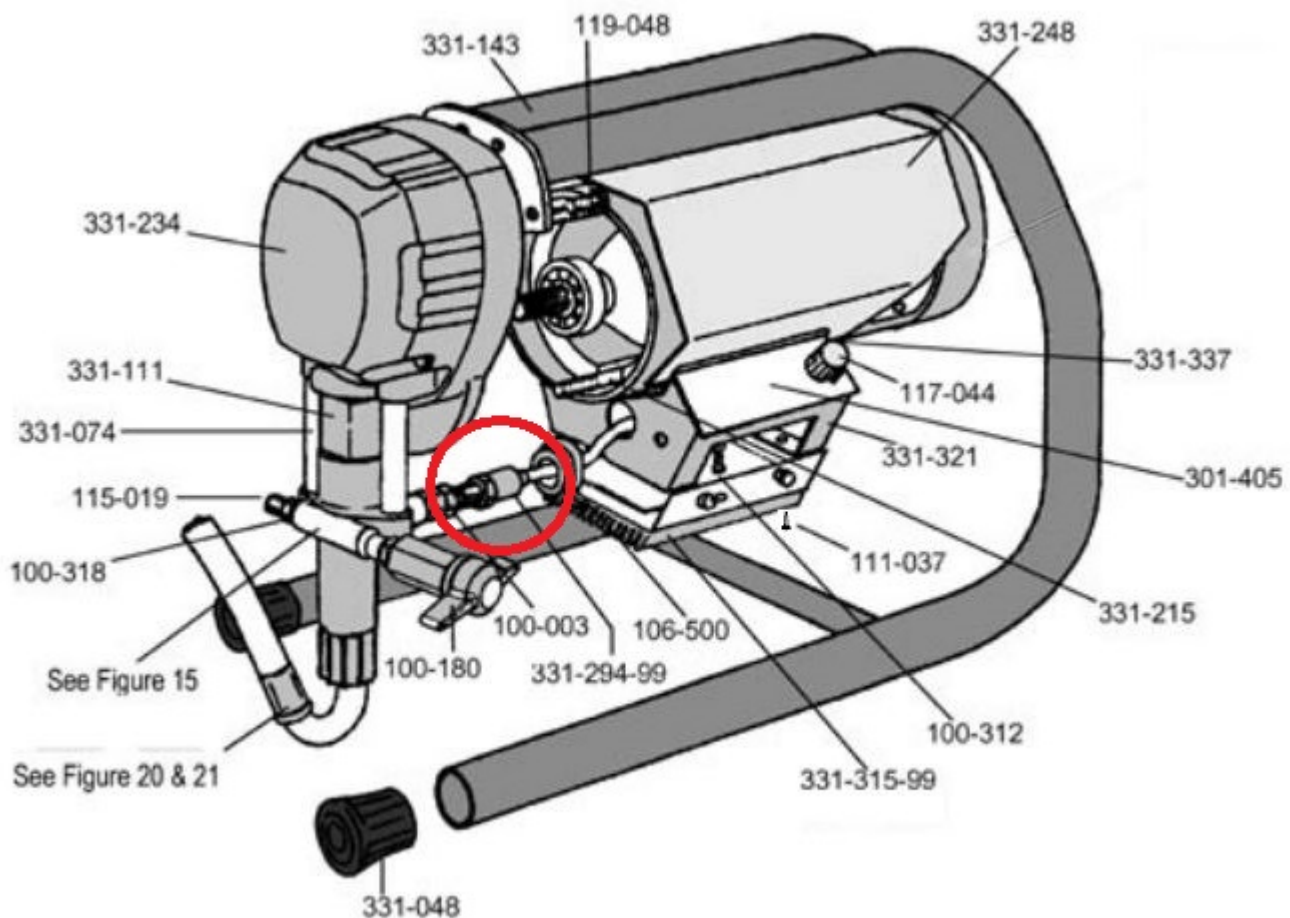
Airlessco 866334 Sensor Black 4 Pin Connector to suit old LP (Little Pro), old SL810, SL1100 & SL1500 Airless Sprayers. Replaces Airlessco old part no. 331-249-99.

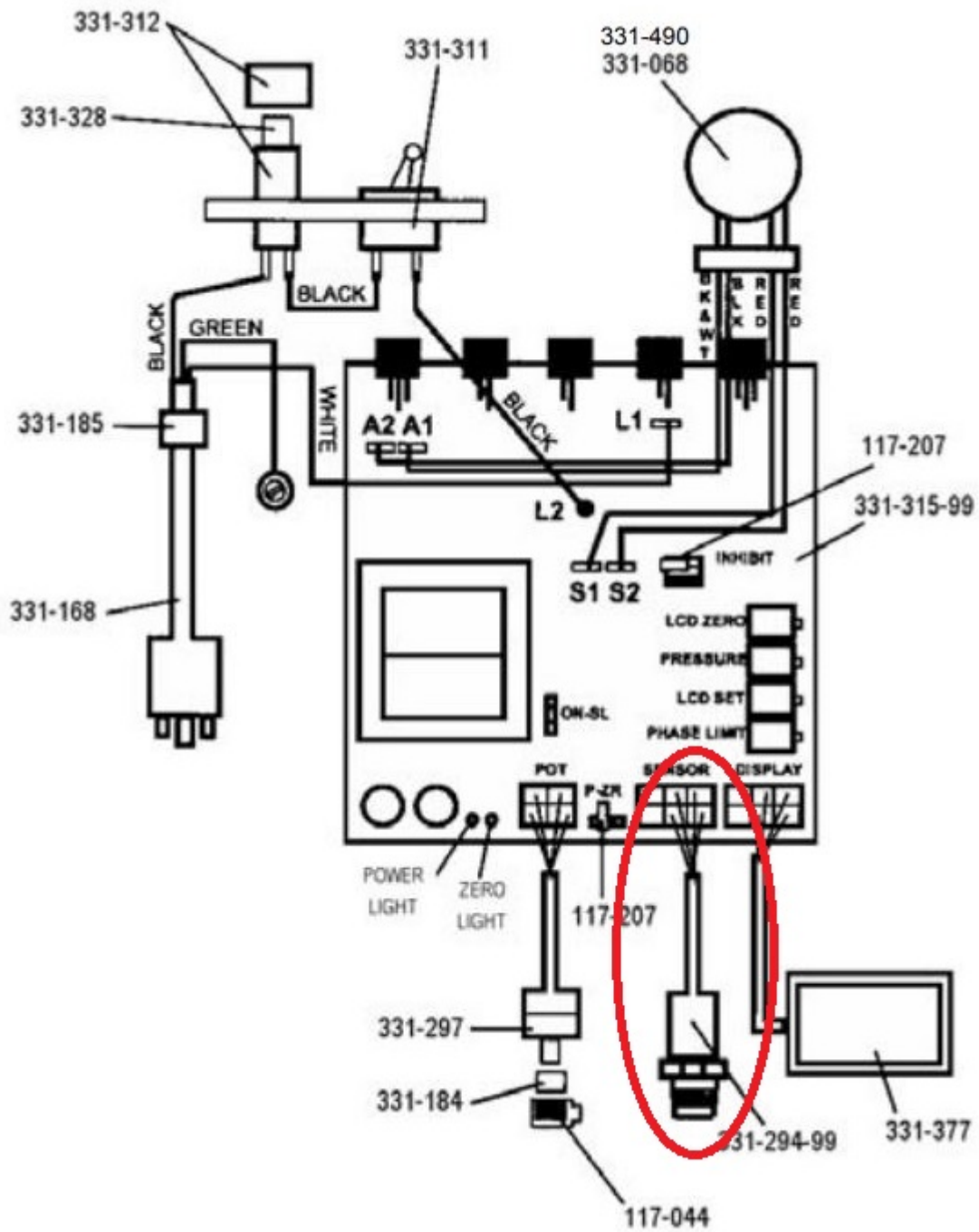
Faulty transducers (sensors) will cause your machine to either not run or to run past the maximum pressure of 3300psi and not stop. Machines that over pressurise can be dangerous causing the paint hose to burst or other component damage such as pump or drain valve.

Suits LP Old Models Produced before 2012 -

- **LP2400 Manual** (1999-2006)
- **LP2500 Manual** (1999-2006)
- **LP2600 Manual** (1999-2006)
- **LP400 Manual** (2006 - 2012)
- **LP460 Manual** (2006 - 2012)
- **LP540 Manual** (2006 - 2012)
- **LP690 Manual** (2006 - 2012)
- **SL810 Manual** (2006-2012)
- **SL1100 Manual** (2006-2012)
- **SL1500 Manual** (2006-2012)

Item location shown on LP400





Airlessco Part No. 866334

Replaces Airlessco Part No. 331-294-99

[Visit our product download centre for manuals & spare parts](#)

Additional Information

Brands	Airlessco
Equipment Type	Airless Sprayers, Line Marking Machines
Machine Type	Electric 240V
Machine Model Number	LP2400, LP2500, LP2600, LP400 (Old Model), LP460, LP540, LP690, SL810, SL1100 (Old Model), SL1500
OEM	Original Part

