



Airlessco 301-150 Toggle Switch Boot Rubber

\$8.79
INCL. GST

Product Images



Short Description

Airlessco 301-150 Toggle Switch Boot Rubber to suit all LP (Little Pro) and SL Series Airless Sprayers. Toggle switch will suit both old and new series machines.

Description

Airlessco 301-150 Toggle Switch Boot Rubber to suit all LP (Little Pro) and SL Series Airless Sprayers. Toggle switch will suit both old and new series machines. Used with Airlessco part no. [301-083](#) on/off toggle switch.

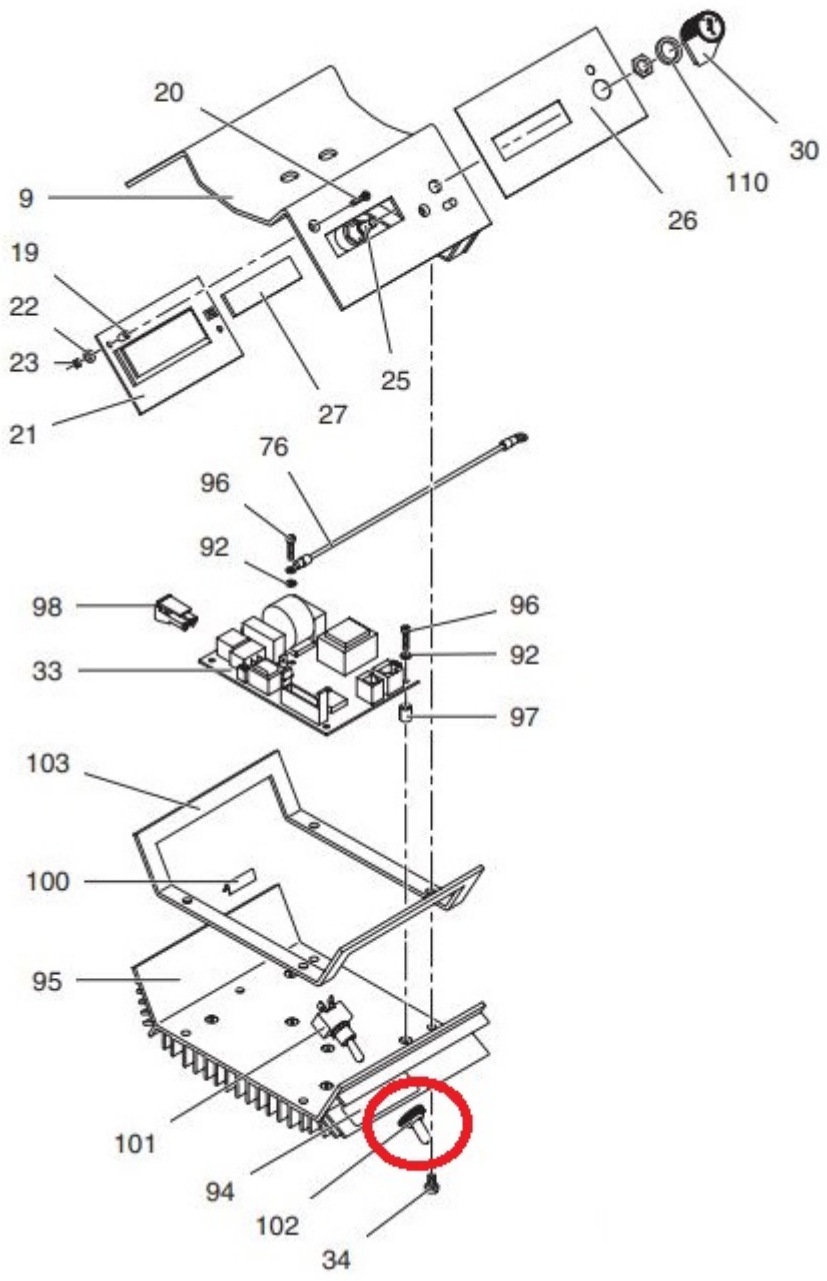
Suits LP New Models Produced after 2014 -

- [MP400 Manual](#) (Part No. 868056)
- [LP400 Manual](#) (Part No. 16M389)
- [LP500 Manual](#) (Part No. 16M390, 16M391)
- [LP600 Manual](#) (Part No. 16M392, 16M393)
- [SL1100 Manual](#) (Part No. 16M394)]

Suits LP Old Models Produced before 2012 -

- [LP2400 Manual](#) (1999-2006)
- [LP2500 Manual](#) (1999-2006)
- [LP2600 Manual](#) (1999-2006)
- [LP400 Manual](#) (mechanical pressure control)
- [LP400 Manual](#) (2006 - 2012)
- [LP460 Manual](#) (2006 - 2012)
- [LP540 Manual](#) (2006 - 2012)
- [LP690 Manual](#) (2006 - 2012)
- [SL810 Manual](#) (2006-2012)
- [SL1100 Manual](#) (2006-2012)

Item location shown on LP500 model



Airlessco Part No. 301-150

[Visit our product download centre for manuals & spare parts](https://airless.com.au/airlessco-301-150-toggle-switch-boot-rubber.html)

Additional Information

Brands	Airlessco
Equipment Type	Airless Sprayers, Line Marking Machines
Machine Type	Electric 240V
Machine Model Number	MP400, LP400 (Late Model), LP500, LP600, SL1100 (Late Model), LP2400, LP2500, LP2600, LP400 (Mechanical Pressure), LP400 (Old Model), LP460, LP540, LP690, SL3600, SL4100, SL5300, SL810, SL1100 (Old Model), SL1500
OEM	Original Part

