



Airlessco 331-019 LP Pump Packing Holder

\$87.30
INCL. GST

Product Images



Short Description

Airlessco 331-019 LP Pump Packing Holder will suit all "Little Pro" model airless sprayers & SureStripe 3650/4050 line marking machines.

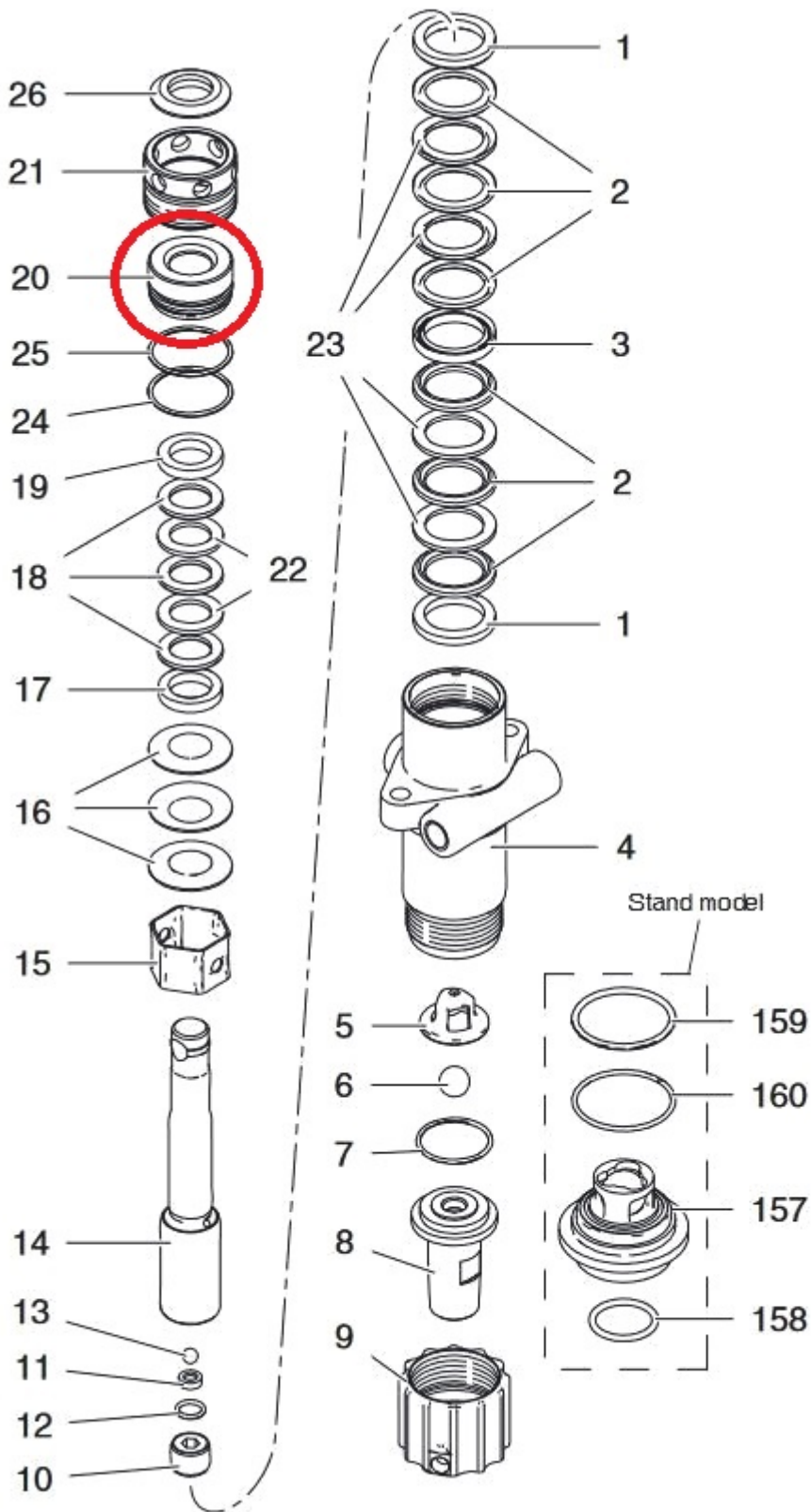
Description

Airlessco 331-019 LP Pump Packing Holder will suit all "Little Pro" model airless sprayers & SureStripe 3650/4050 line marking machines.

Suits LP New Models Produced from 2014 -

- **MP400 Manual** (Part No. 868056)
- **LP400 Manual** (Part No. 16M389)
- **LP500 Manual** (Part No. 16M390, 16M391)
- **LP600 Manual** (Part No. 16M392, 16M393)

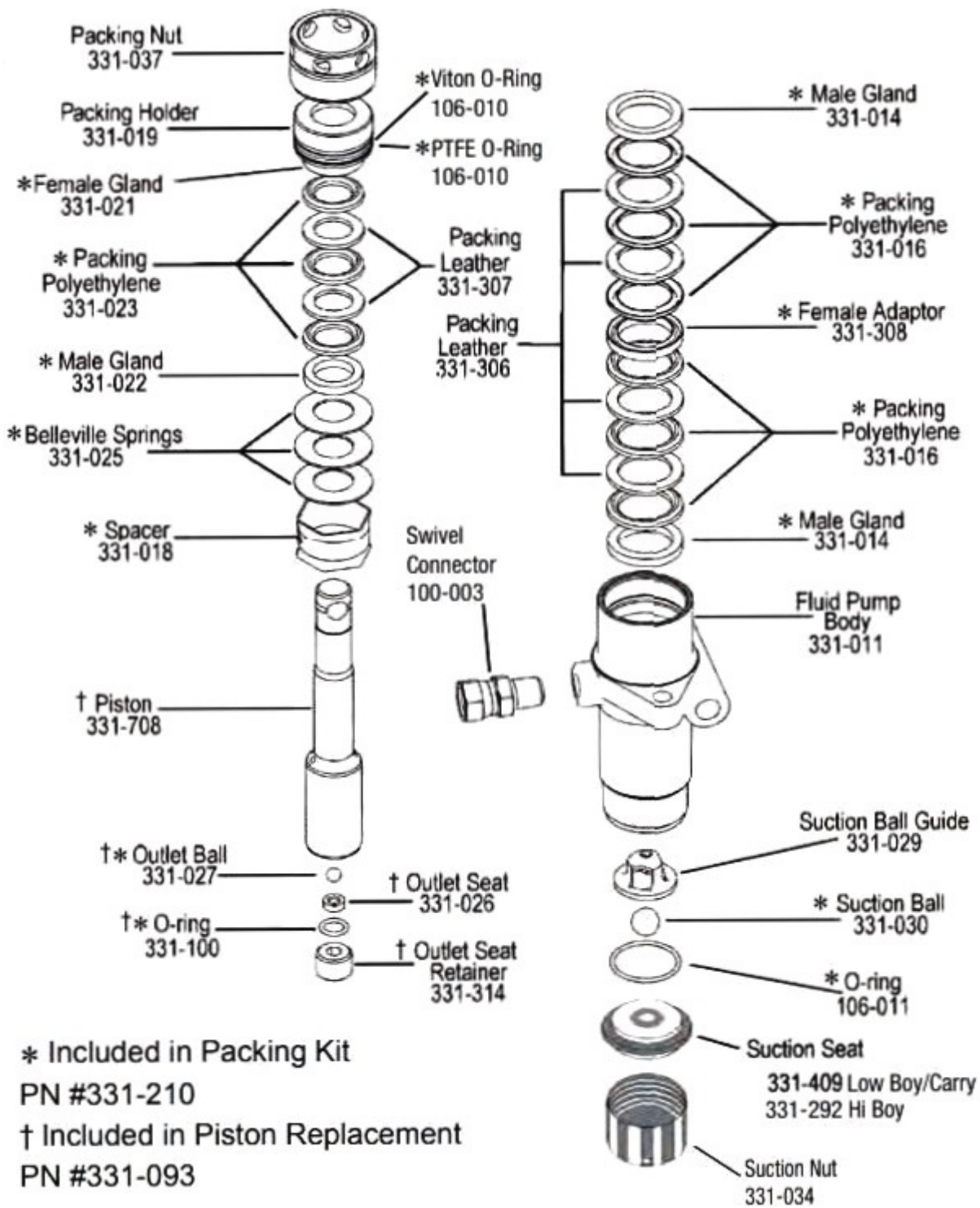
Airlessco LP New Models Pump Breakdown -



Suits LP Old Models Produced before 2012 -

- **LP2400 Manual** (1999-2006)
- **LP2500 Manual** (1999-2006)
- **LP2600 Manual** (1999-2006)
- **LP400 Manual** (mechanical pressure control)
- **LP400 Manual** (2006 - 2012)
- **LP460 Manual** (2006 - 2012)
- **LP540 Manual** (2006 - 2012)

Airlessco LP Old Models Pump Breakdown -



Atomex Part No. A/331019

Replaces Airlessco Part No. 331-019

[Visit our product download centre for manuals & spare parts](#)

Additional Information

Brands	Airlessco
Equipment Type	Airless Sprayers, Line Marking Machines
Machine Type	Electric 240V, Petrol
Machine Model Number	MP400, LP400 (Late Model), LP500, LP600, LP2400, LP2500, LP2600, LP400 (Mechanical Pressure), LP400 (Old Model), LP460, LP540, LP690, SureStripe 3650, SureStripe 4050
OEM	Aftermarket

