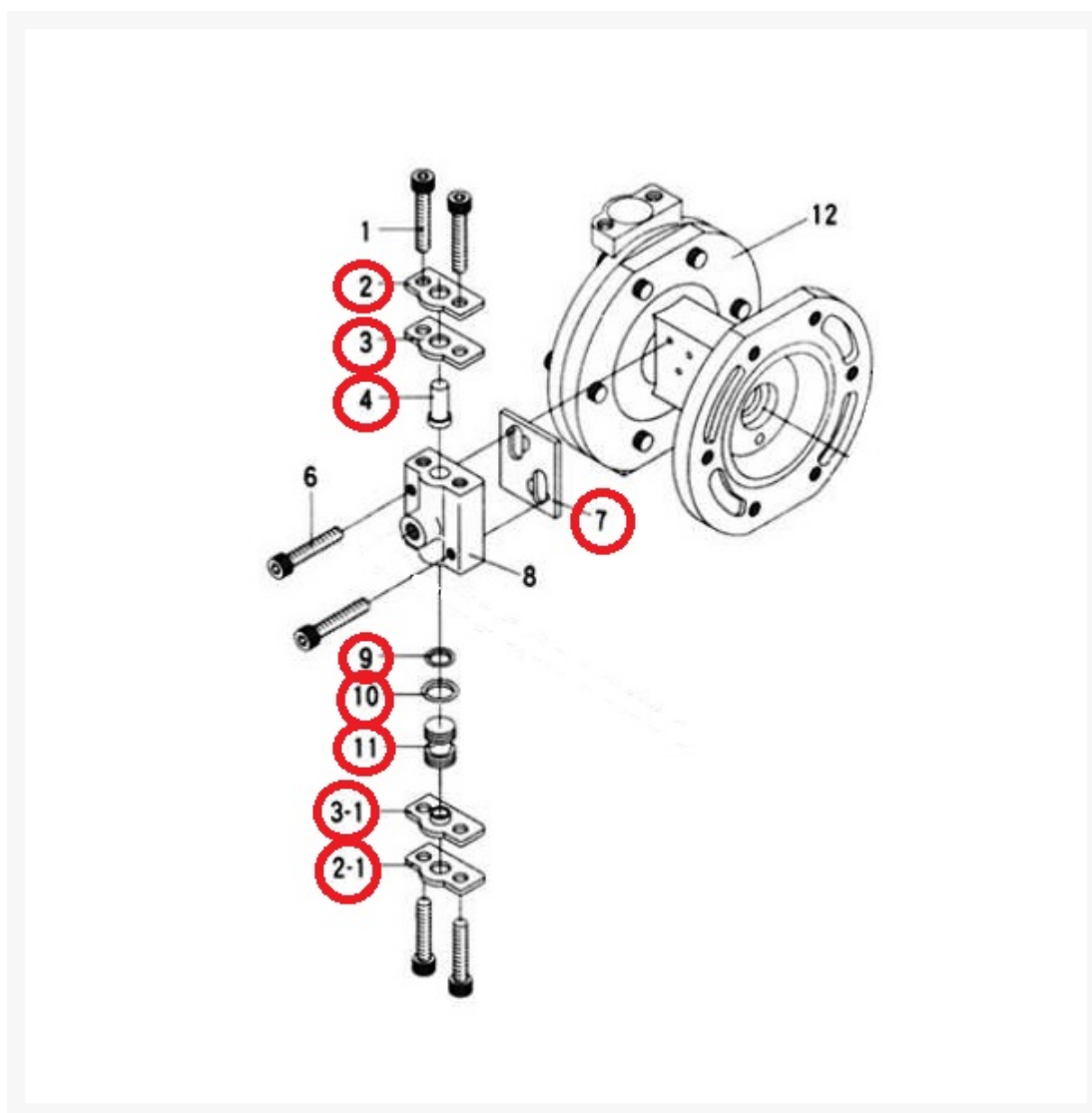




Atomex Double Diaphragm Paint Pump Air Valve Service Kit

\$56.43
INCL. GST

Product Images



Short Description

Atomex Double Diaphragm Paint Pump Air Valve Service Kit includes all parts needed to service the air section on Atomex Double Diaphragm pumps. Air valve service will be required if the air section is leaking or if the air pump stalls in one direction whilst under load.

Description

Atomex Double Diaphragm Paint Pump Air Valve Service Kit includes all parts needed to service the air section on Atomex Double Diaphragm pumps.

Air valve service will be required if the air section is leaking or if the air pump stalls in one direction whilst under load. The service kit is simple to install but all parts on the air valve sections should be cleaned before installing this kit and ensure that seals are lubricated with white grease or vasoline.

Atomex Double Diaphragm Pump Air Valve Service Kit includes -

Item 02 - AX/15-910-002 Upper Cover Plate

Item 2-1 - AX/15-910-002-1 Lower Cover Plate

Item 03 - AX/15-910-003 Upper Cover Plate Gasket

Item 03-1 - AX/15-910-003-1 Lower Cover Plate Gasket

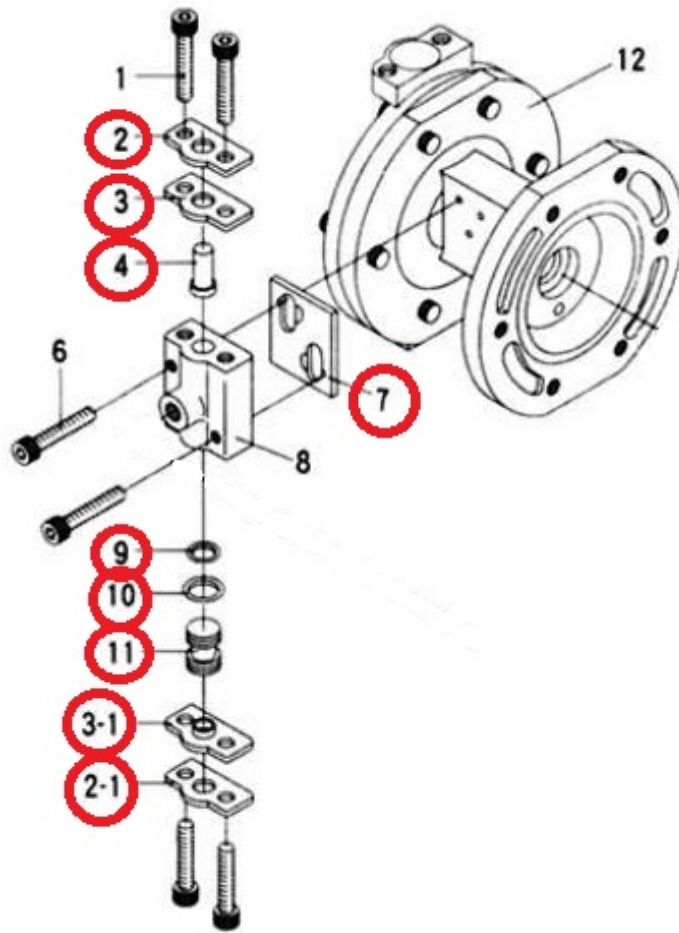
Item 04 - AX/15-910-004 Upper Change Over Plunger

Item 07 - AX/15-910-007 Change Over Valve Gasket

Item 09 - AX/15-910-009 O-Ring Silicon (2)

Item 10 - AX/15-910-010 O-Ring PTFE (2)

Item 11 - AX/15-910-011 Change Over Valve



Atomex Part No. AX/15-910-000A

[Click here to see all parts available for Atomex Double Diaphragm Pumps](https://airless.com.au/atomex-double-diaphragm-paint-pump-air-valve-service-kit.html)

Additional Information

Brands	Atomex
Equipment Type	Double Diaphragm Pumps
Machine Type	Pneumatic
Machine Model Number	Atomex Double Diaphragm Pump
OEM	Original Part

