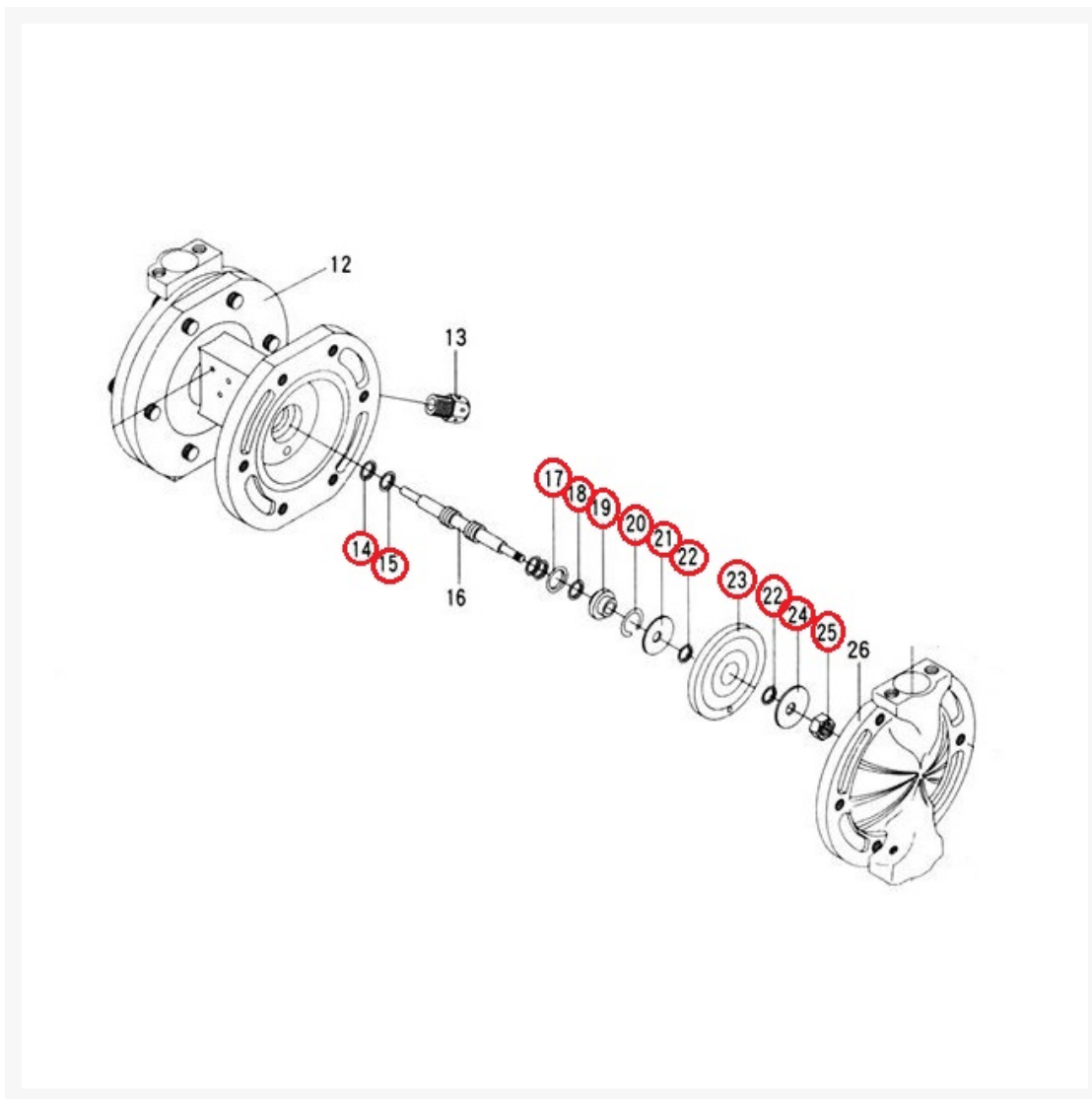




# Atomex Double Diaphragm Paint Pump Diaphragm Service Kit

**\$154.06**  
**INCL. GST**

## Product Images



## Short Description

---

Atomex Double Diaphragm Paint Pump Diaphragm Service Kit includes parts needed to replace both diaphragm and seals around the centre shaft Atomex Double Diaphragm pumps.

## Description

---

Atomex Double Diaphragm Paint Pump Diaphragm Service Kit includes parts needed to replace both diaphragm and seals around the centre shaft Atomex Double Diaphragm pumps.

Diaphragm pumps will require periodic service which involves removing the diaphragm side covers, cleaning out built up product or material, replacing seals around the centre shaft, replacing diaphragms and cleaning check valves. It is recommended to purchase the Atomex Check Valve Service Kit (Part No. AX/15-910-000C) when servicing these diaphragm pumps.

### **Atomex Double Diaphragm Pump Diaphragm Service Kit includes -**

Item 14 - AX/15-910-014 O-Ring Silicon (2)

Item 15 - AX/15-910-015 O-Ring PTFE (2)

Item 17 - AX/15-910-017 O-Ring Viton (2)

Item 18 - AX/15-910-018 O-Ring Viton (2)

Item 19 - AX/15-910-019 Bushing (2)

Item 20 - AX/15-910-020 Circlip (2)

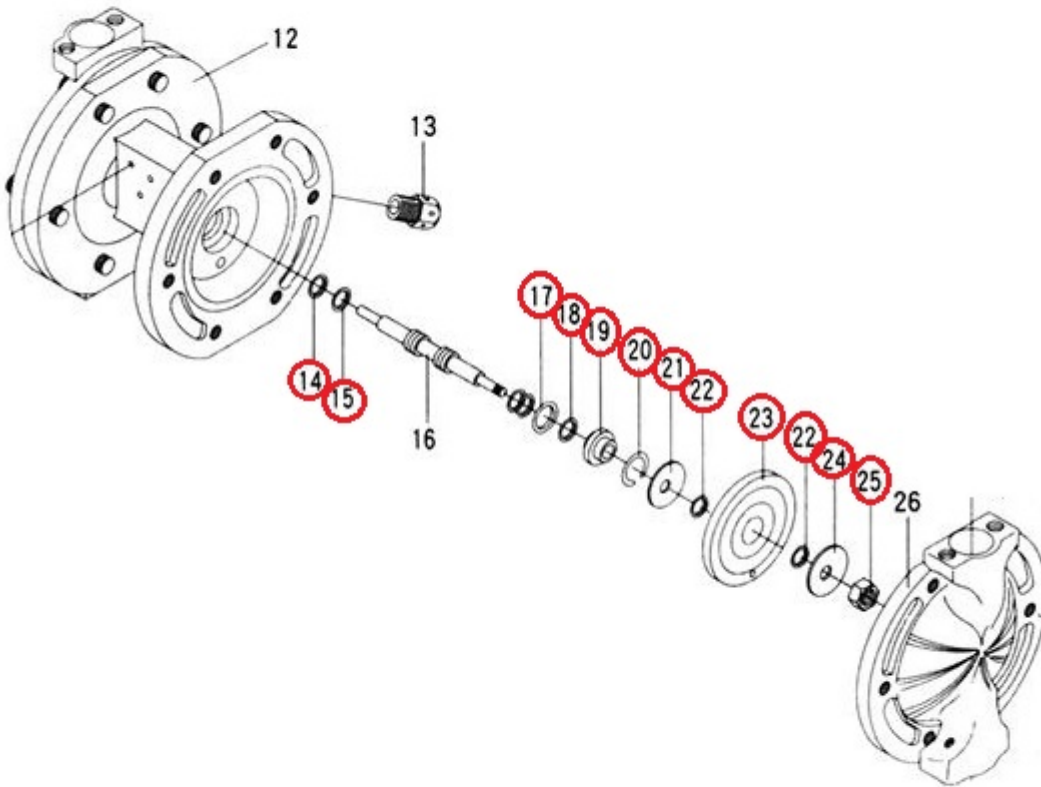
Item 21 - AX/15-910-021 Back Up Plate Smooth (2)

Item 22 - AX/15-910-022 O-Ring Teflon (4)

Item 23 - AX/15-910-023 Diaphragm PTFE (2)

Item 24 - AX/15-910-024 Back Up Plate Groove (2)

Item 25 - AX/15-910-025 Shaft Nut (2)



Atomex Part No. AX/15-910-000B

[Click here to see all parts available for Atomex Double Diaphragm Pumps](#)

## Additional Information

---

Brands	Atomex
Equipment Type	Double Diaphragm Pumps
Machine Type	Pneumatic
Machine Model Number	Atomex Double Diaphragm Pump
OEM	Original Part

