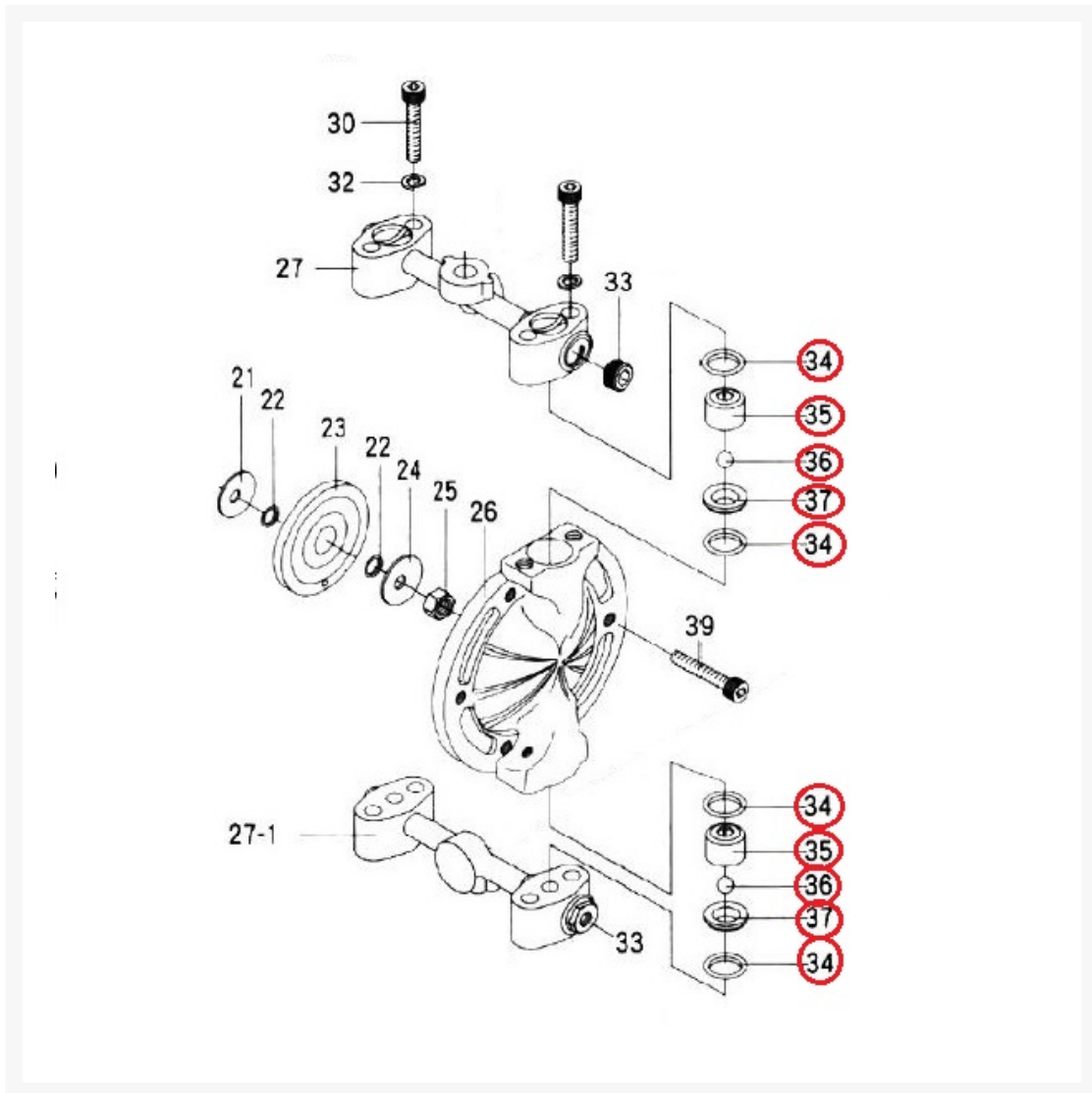




Atomex Double Diaphragm Paint Pump Check Valve Service Kit

\$126.17
INCL. GST

Product Images



Short Description

Atomex Double Diaphragm Paint Pump Check Valve Service Kit includes parts needed to replace all four check valve balls, seats and seals on Atomex Double Diaphragm pumps.

Description

Atomex Double Diaphragm Paint Pump Check Valve Service Kit includes parts needed to replace all four check valve balls, seats and seals on Atomex Double Diaphragm pumps.

Diaphragm pumps will require periodic service which involves removing the diaphragm side covers, cleaning out built up product or material, replacing seals around the centre shaft, replacing diaphragms and cleaning check valves. It is recommended to purchase the Atomex Check Valve Service Kit (Part No. AX/15-910-000C) when servicing these diaphragm pumps.

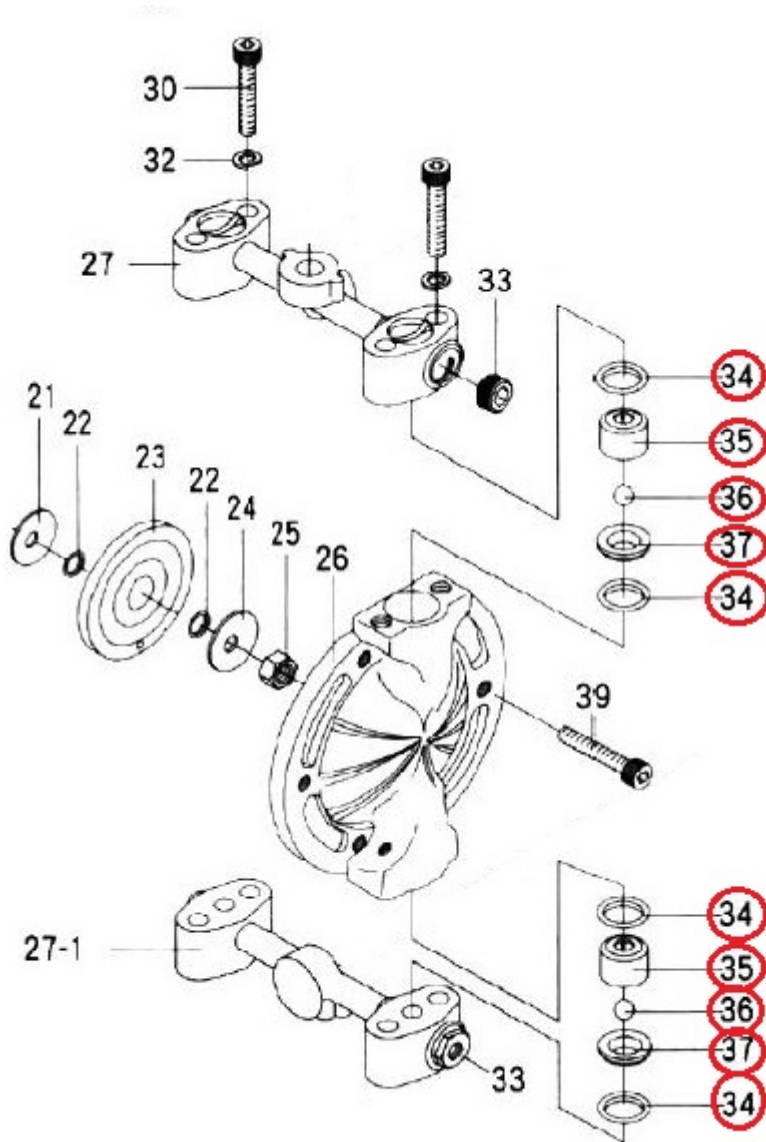
Atomex Double Diaphragm Pump Check Valve Service Kit includes -

Item 34 - AX/15-910-034 Check Valve O-Ring PTFE (8)

Item 35 - AX/15-910-035 Ball Guide (4)

Item 36 - AX/15-910-036 Stainless Ball (4)

Item 37 - AX/15-910-037 Stainless Seat (4)



Atomex Part No. AX/15-910-000C

[Click here to see all parts available for Atomex Double Diaphragm Pumps](#)

Additional Information

Brands	Atomex
Equipment Type	Double Diaphragm Pumps
Machine Type	Pneumatic
Machine Model Number	Atomex Double Diaphragm Pump
OEM	Original Part

