



Graco 24Y645 Kit, Clamp, Double Wing Nut

\$114.40
INCL. GST

Product Images

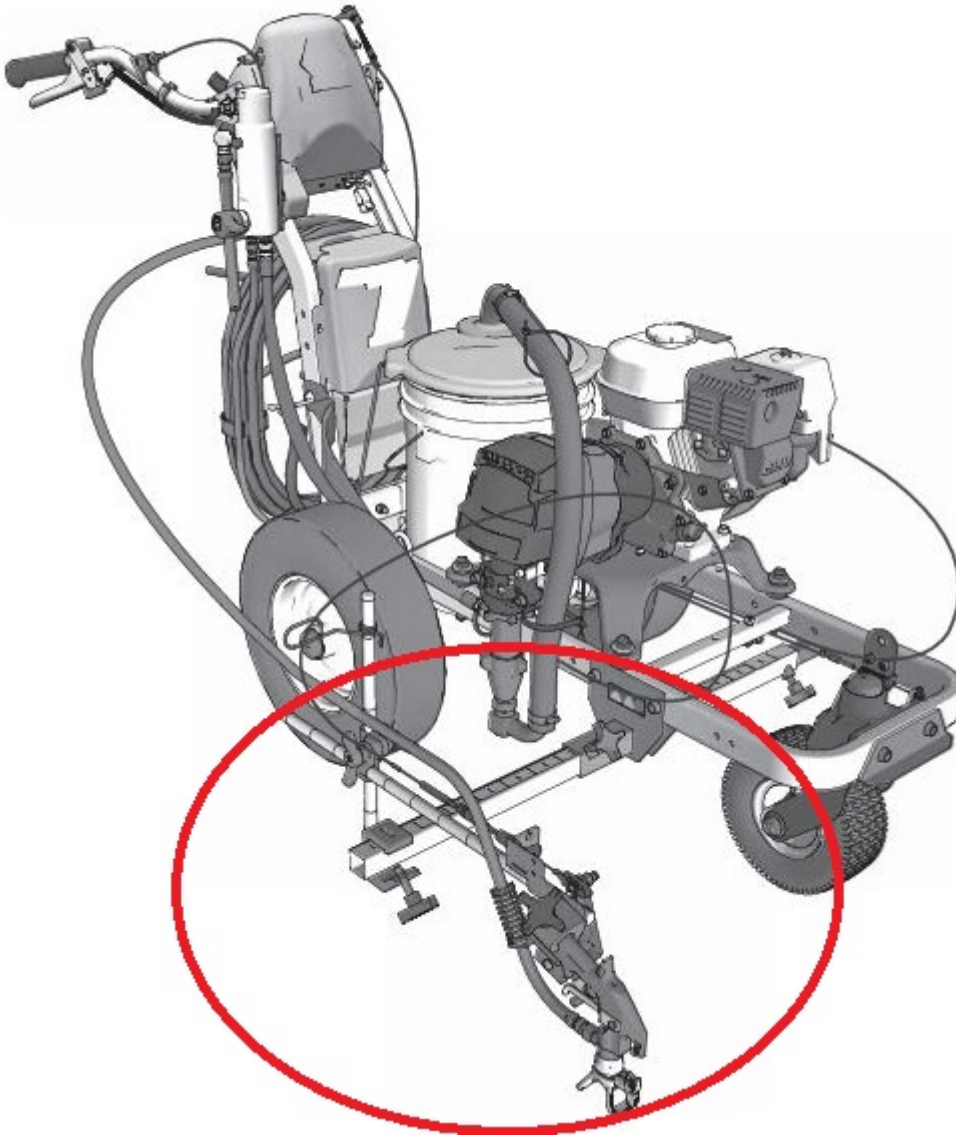


Short Description

Graco 24Y645 Kit, Clamp, Double Wing Nut will suit all Graco LineLazer IV & V Series ES500, ES1000, ES2000, 3400, 3900, 5900, 130HS, 200HS and 200DC Line Marking machines.

Description

Graco 24Y645 Kit, Clamp, Double Wing Nut will suit all Graco LineLazer IV & V Series ES500, ES1000, ES2000, 3400, 3900, 5900, 130HS, 200HS and 200DC Line Marking machines. Includes spaced notches to assist in fine adjustment of gun arm height.



Graco 24Y645 Kit, Clamp, Double Wing Nut will fit the following models -

Graco LineLazer V Line Marking Machines

ES500, ES1000, ES2000, 3400, 3900, 5900, 130HS, 200HS & 200DC

Graco Part No. 24Y645

Replaces Graco Part No. 287566

AA Spray stock a full range of Graco LineLazer V line marking machines, spare parts, filters, guns, tips &

accessories with fast delivery Australia wide.

Information we have supplied regarding which models of machine use this part are a guide only, variations and changes of parts within the same series of a machine can occur. Always consult your owner's manual before ordering spare parts to ensure this part is the correct item for your equipment.

Additional Information

Brands	Graco
Equipment Type	Line Marking Machines
Machine Type	Petrol, Battery
Machine Model Number	3400 LineLazer, 3900 LineLazer V, 5900 LineLazer V, 200HS LineLazer V, 130HS LineLazer IV, 130HS LineLazer V, 3900 LineLazer IV, 5900 LineLazer IV, 200HS LineLazer IV
OEM	Original Part

