



Graco 114648 Cap Dust

\$17.16
INCL. GST

Product Images

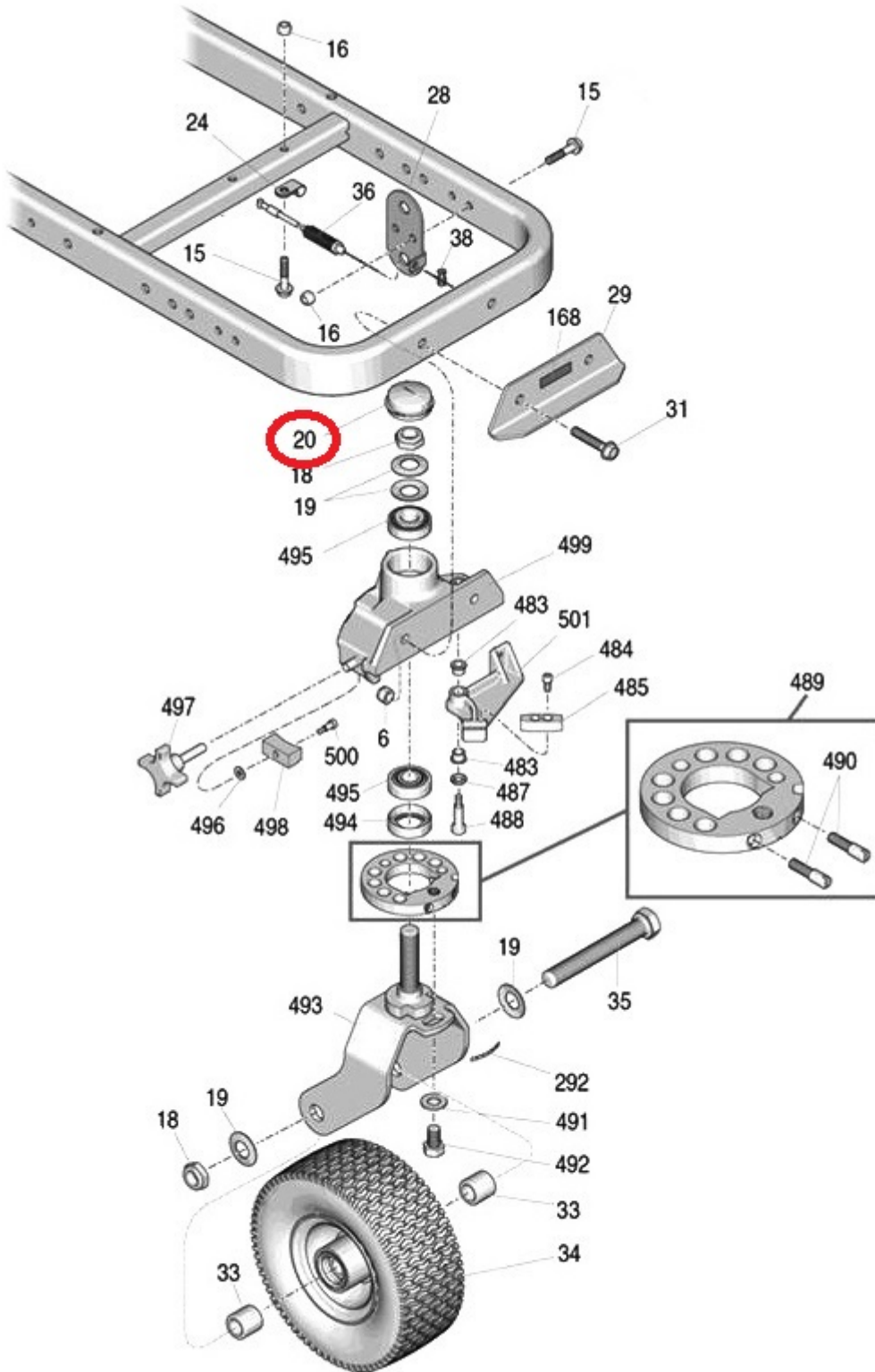


Short Description

Graco 114648 Cap Dust is used throughout the range of LineLazer III, IV & V Series machines. Dust cap is used on the top of the swivel wheel assembly and also on the rear pneumatic wheel to protect the bearing assembly from dirt & paint.

Description

Graco 114648 Cap Dust is used throughout the range of LineLazer III, IV & V Series machines. Dust cap is used on the top of the swivel wheel assembly and also on the rear pneumatic wheel to protect the bearing assembly from dirt & paint.



View all items used on [241105 Front Wheel Assembly](#)

Graco Part No. 114648

AA Spray stock a full range of Graco LineLazer V line marking machines, spare parts, filters, guns, tips & accessories with fast delivery Australia wide.

Information we have supplied regarding which models of machine use this part are a guide only, variations and changes of parts within the same series of a machine can occur. Always consult your owner's manual before ordering spare parts to ensure this part is the correct item for your equipment.

Additional Information

Brands	Graco
Equipment Type	Airless Sprayers, Line Marking Machines
Machine Type	Petrol
Machine Model Number	Silver Plus & Flex Plus Guns, 3400 LineLazer, 3900 LineLazer V, 5900 LineLazer V, 200HS LineLazer V, 250DC LineLazer V, 250SPS LineLazer V, ES1000 LineLazer V, ES2000 LineLazer V, 130HS LineLazer IV, 130HS LineLazer V, 3900 LineLazer IV, 5900 LineLazer IV, 200HS LineLazer IV, 250SPS LineLazer IV, 390 PC Cordless
OEM	Original Part

