



Graco 17H486 Disk Adjuster Assembly

\$80.08
INCL. GST

Product Images



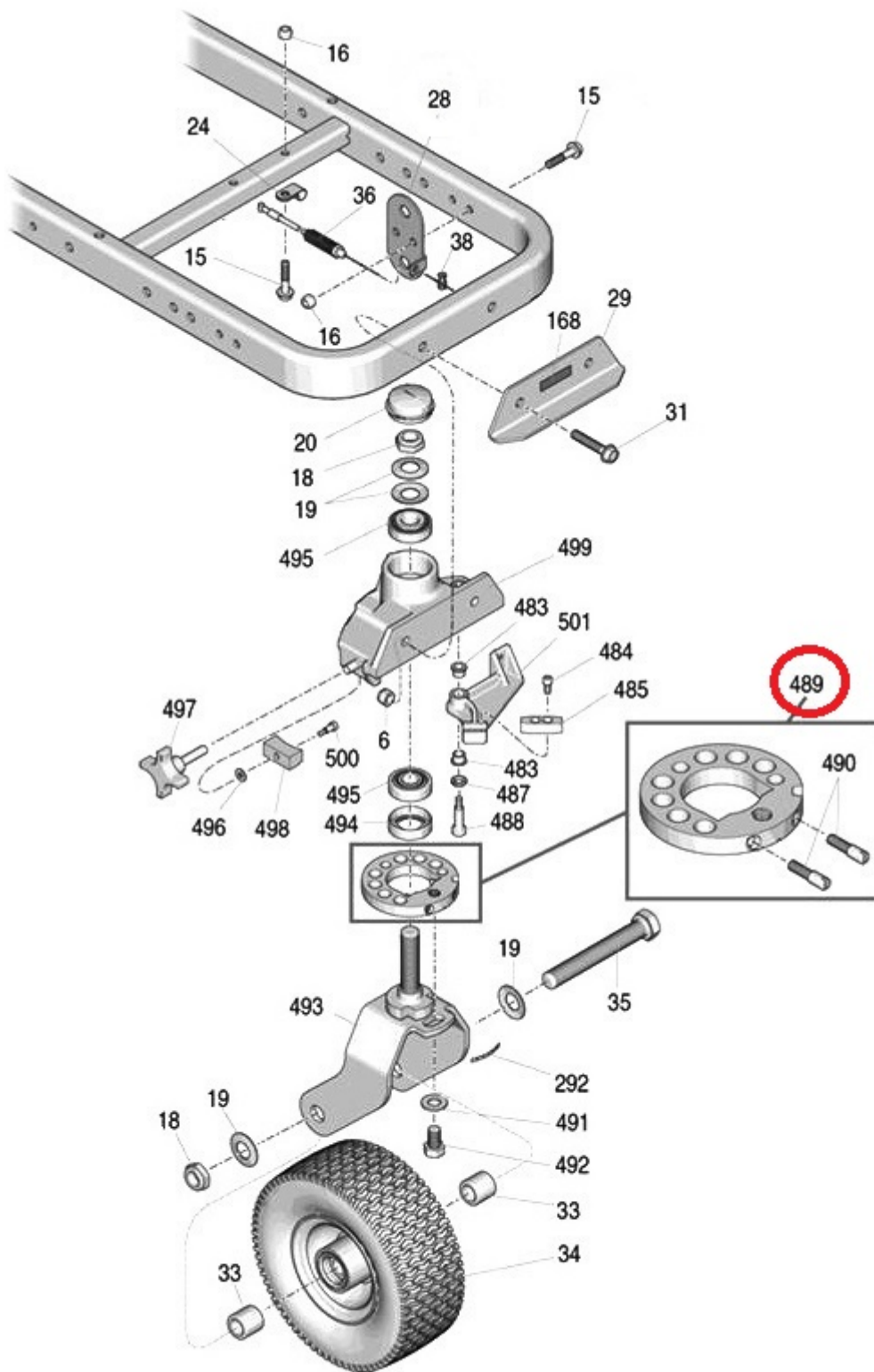
Short Description

Graco 17H486 Disk Adjuster Assembly is used throughout the range of LineLazer IV & V Series machines. The disk adjuster is located between the fork and the castor assembly and allows alignment/adjust of the front wheel.

Description

Graco 17H486 Disk Adjuster Assembly is used throughout the range of LineLazer IV & V Series machines. The disk adjuster is located between the fork and the castor assembly and allows alignment/adjust of the front wheel. The notch in the disk adjuster can become worn over time by the action of the stop wedge [193662](#) causing play in the front wheel.

Note - This item does NOT include 2 x [17G762](#) Screw, Disk Adjuster (Items 490).



View all items used on [241105 Front Wheel Assembly](#)

Graco Part No. 17H486

AA Spray stock a full range of Graco LineLazer V line marking machines, spare parts, filters, guns, tips & accessories with fast delivery Australia wide.

Information we have supplied regarding which models of machine use this part are a guide only, variations and changes of parts within the same series of a machine can occur. Always consult your owner's manual before ordering spare parts to ensure this part is the correct item for your equipment.

Additional Information

Brands	Graco
Equipment Type	Line Marking Machines
Machine Type	Petrol
Machine Model Number	3400 LineLazer, 3900 LineLazer V, 5900 LineLazer V, 200HS LineLazer V, ES1000 LineLazer V, ES2000 LineLazer V, 130HS LineLazer IV, 130HS LineLazer V, 3900 LineLazer IV, 5900 LineLazer IV, 200HS LineLazer IV, 390 PC Cordless
OEM	Original Part

